

YELLOW MONDAY 5/15/23

Board 1
North Deals
None Vul

	♠ K 10 9 6 5	
	♥ 7	
	♦ J 10 8 3	
	♣ Q J 5	
♠ 8 7		♠ A Q J 3
♥ K J 6 3 2		♥ Q 9 8
♦ K 9 2		♦ Q 7 5
♣ 10 7 2		♣ A K 6
	♠ 4 2	
	♥ A 10 5 4	
	♦ A 6 4	
	♣ 9 8 4 3	

E 4N; EW 4♥; W 3N; EW 2♦; EW 2♣; EW 1♠; Par -430; E 3N+1

YELLOW MONDAY 5/15/23

Board 2
East Deals
N-S Vul

♠ A 8 7 4			
♥ K 9 6 2			
♦ A Q 5 3			
♣ 8			
♠ J 10 9			♠ 6
♥ 4 3			♥ A 7 5
♦ J 8 7 2			♦ K 9 6
♣ Q 5 4 3			♣ A K 10 9 6 2
			♠ K Q 5 3 2
			♥ Q J 10 8
			♦ 10 4
			♣ J 7

NS 4♠; NS 3♥; EW 3♣; N 1♦; Par +300; EW 5♣×-2

YELLOW MONDAY 5/15/23

Board 3
South Deals
E-W Vul

	♠ K 9 7 5 2	
	♥ K J	
	♦ 9 4	
	♣ K 7 6 3	
♠ 8 3		♠ A Q 6
♥ 8 3 2		♥ Q 10 5 4
♦ Q 7 6 5		♦ A K 10 3
♣ A J 9 2		♣ Q 4
	♠ J 10 4	
	♥ A 9 7 6	
	♦ J 8 2	
	♣ 10 8 5	

EW 3N; EW 3♥; EW 3♦; EW 3♣; EW 1♠; Par -600; EW 3N=

YELLOW MONDAY 5/15/23

Board 4
West Deals
Both Vul

	♠ A Q 7 3		
	♥ Q 4		
	♦ 8 7 5		
	♣ 9 5 4 2		
♠ 10 5		♠ K 2	
♥ K 10 3 2		♥ 9 8 6	
♦ A 10 6 2	W	♦ J 4 3	E
♣ K J 7	S	♣ A Q 10 8 3	
	♠ J 9 8 6 4		
	♥ A J 7 5		
	♦ K Q 9		
	♣ 6		

EW 2N; NS 2♠; EW 2♥; EW 3♣; EW 2♦; Par -120; EW 2N=

YELLOW MONDAY 5/15/23

Board 5
North Deals
N-S Vul

	♠ Q 6		
	♥ K 10		
	♦ 10 5 2		
	♣ A K Q 10 4 2		
♠ J 10 3 2			♠ A K 9
♥ Q 9 8 4			♥ A J
♦ A Q J			♦ K 9 8 7 4
♣ J 7			♣ 9 8 5
	♠ 8 7 5 4		
	♥ 7 6 5 3 2		
	♦ 6 3		
	♣ 6 3		

EW 4♠; EW 5♦; EW 3♥; EW 1N; EW 1♣; Par -420; EW 4♠=

YELLOW MONDAY 5/15/23

Board 6
East Deals
E-W Vul

	♠ Q 10	
	♥ 8 2	
	♦ A 10 9 3	
	♣ Q 7 5 3 2	
♠ J 8 6		♠ K 9 7 4 3
♥ 9 7 4		♥ K J 10
♦ J 8 7 5		♦ K 6 2
♣ A K J		♣ 10 4
	♠ A 5 2	
	♥ A Q 6 5 3	
	♦ Q 4	
	♣ 9 8 6	

NS 4♣; NS 2N; NS 2♥; EW 1♠; NS 1♦; Par +130: NS 2♣+2

YELLOW MONDAY 5/15/23

Board 7
South Deals
Both Vul

	♠ K 10 5		
	♥ A K 8 6 4		
	♦ 9 4 2		
	♣ 7 3		
♠ 9 8 3		♠ A J 7 6	
♥ Q 9		♥ J 5 2	
♦ K 8 7		♦ A 5	
♣ A Q 10 9 2		♣ J 6 5 4	
	♠ Q 4 2		
	♥ 10 7 3		
	♦ Q J 10 6 3		
	♣ K 8		

EW 4♠; EW 3N; EW 4♣; EW 1♥; EW 1♦; Par -620: EW 4♠=

YELLOW MONDAY 5/15/23

Board 8
West Deals
None Vul

	♠ 4		
	♥ J 2		
	♦ Q 7 2		
	♣ A 10 9 8 7 5 3		
♠ 6 3 2			♠ A K Q 5
♥ A Q 3			♥ 10 7 5 4
♦ A K 6 4			♦ J 8 5
♣ Q 4 2			♣ K 6
	♠ J 10 9 8 7		
	♥ K 9 8 6		
	♦ 10 9 3		
	♣ J		

EW 4N; EW 3♠; EW 3♥; EW 4♦; EW 2♣; Par -430; EW 3N+1

YELLOW MONDAY 5/15/23

Board 9
North Deals
E-W Vul

	♠ 10		
	♥ A J 8 6		
	♦ Q 10 9 2		
	♣ K 9 4 2		
♠ 9 6 2	<div style="display: inline-block; background-color: #008000; color: white; padding: 5px; text-align: center;"> N W E S </div>	♠ A 8 5 3	
♥ K Q 2		♥ 9 7 5 3	
♦ A K		♦ 8 7	
♣ A Q 10 8 7		♣ J 6 3	
	♠ K Q J 7 4		
	♥ 10 4		
	♦ J 6 5 4 3		
	♣ 5		

EW 2N; EW 2♥; NS 2♦; EW 2♣; NS 1♠; Par -100: NS 3♦×-1

YELLOW MONDAY 5/15/23

Board 10
East Deals
Both Vul

	♠ K 10 8 6	
	♥ A J 7 6 2	
	♦ 9	
	♣ 9 7 4	
♠ A 9 3		♠ J 2
♥ 8 3		♥ K 10 4
♦ Q J 3 2		♦ K 10 7 6 4
♣ K 10 5 3		♣ J 6 2
	♠ Q 7 5 4	
	♥ Q 9 5	
	♦ A 8 5	
	♣ A Q 8	



S 4♠; N 3♠; NS 2♥; EW 3♦; EW 1♣; Par +500: EW 5♦×-2

YELLOW MONDAY 5/15/23

Board 11
South Deals
None Vul

	♠ J 5	
	♥ 8	
	♦ K 8 6 4 2	
	♣ A 10 9 5 2	
♠ 9 7 6		♠ A Q 4 2
♥ Q J 7 4 3		♥ K 6 5 2
♦ A 9		♦ Q 5 3
♣ 8 6 3		♣ 7 4
	♠ K 10 8 3	
	♥ A 10 9	
	♦ J 10 7	
	♣ K Q J	

NS 4♦; NS 4♣; NS 2♠; E 2♥; NS 1N; W 1♥;
Par +130: NS 4♣=; NS 4♦=

YELLOW MONDAY 5/15/23

Board 12
West Deals
N-S Vul

	♠ 9 8 6 2		
	♥ J 4		
	♦ A K 8 7 3 2		
	♣ 10		
♠ A J 5		♠ 10	
♥ A Q 7 2		♥ 6 5 3	
♦ 6 5		♦ Q J 10 9 4	
♣ A J 6 3		♣ Q 8 7 4	
	♠ K Q 7 4 3		
	♥ K 10 9 8		
	♦ —		
	♣ K 9 5 2		

NS 2♠; EW 2♥; EW 3♣; EW 1N; EW 1♦; Par -110; EW 3♣=

YELLOW MONDAY 5/15/23

Board 13
North Deals
Both Vul

	♠ K Q J 9 6	
	♥ Q 10 3	
	♦ 10 4 2	
	♣ A 10	
♠ 4 2		♠ A 5 3
♥ 9 5		♥ K J 7
♦ K J 8 6 5		♦ Q 9 3
♣ K J 6 5		♣ Q 8 7 2
	♠ 10 8 7	
	♥ A 8 6 4 2	
	♦ A 7	
	♣ 9 4 3	



NS 3♠; NS 3♥; EW 3♣; NS 1N; EW 2♦; Par +140: NS 3♥=; NS 3♠=

YELLOW MONDAY 5/15/23

Board 14
East Deals
None Vul

	♠ K Q J 9 3		
	♥ 10 8		
	♦ K J		
	♣ A Q 5 2		
♠ 6 4		♠ A 7 5 2	
♥ K 2		♥ Q 9 5 4 3	
♦ A Q 10 6 4		♦ 9 3	
♣ K J 10 3		♣ 9 4	
	♠ 10 8		
	♥ A J 7 6		
	♦ 8 7 5 2		
	♣ 8 7 6		



NS 2N; NS 2♠; NS 1♥; EW 1♦; NS 1♣; Par +120: NS 2N=

YELLOW MONDAY 5/15/23

Board 15
South Deals
N-S Vul

♠ J 8 5 4 3		♠ K Q 7
♥ 9		♥ K 7 4
♦ J 6 3		♦ A 8 4 2
♣ J 8 6 4		♣ 10 9 3
	♠ 10	
	♥ J 10 6 3 2	
	♦ K 9 7 5	
	♣ K Q 7	
	♠ A 9 6 2	
	♥ A Q 8 5	
	♦ Q 10	
	♣ A 5 2	

NS 4N; NS 2♠; NS 2♥; NS 2♦; NS 2♣; Par +630; NS 3N+1

YELLOW MONDAY 5/15/23

Board 16
West Deals
E-W Vul

	♠ 10 6 4 3		
	♥ A K 7		
	♦ A Q J 9		
	♣ K 5		
♠ K 9 5		♠ A Q J 7 2	
♥ Q 9 3		♥ 6 2	
♦ K 6 5		♦ 8 2	
♣ J 7 6 3		♣ A Q 10 8	
	♠ 8		
	♥ J 10 8 5 4		
	♦ 10 7 4 3		
	♣ 9 4 2		

W 3N; EW 3♠; NS 3♥; W 4♣; NS 3♦; E 3♣;
Par -100: NS 4♦×-1; NS 4♥×-1

YELLOW MONDAY 5/15/23

Board 17
North Deals
None Vul

	♠ K Q 7 5 4		
	♥ 10 9 6 3		
	♦ 10 5 4		
	♣ 5		
♠ 2			♠ 10 9 6 3
♥ Q 8 7 4			♥ A J 5 2
♦ Q 7			♦ 9 8 2
♣ A J 8 7 6 4			♣ K 2
	♠ A J 8		
	♥ K		
	♦ A K J 6 3		
	♣ Q 10 9 3		

NS 4♠; NS 4♦; EW 2♥; NS 1N; EW 2♣; Par +420: NS 4♠=

YELLOW MONDAY 5/15/23

Board 18
 East Deals
 N-S Vul

♠ K 2 ♥ J 7 6 ♦ J 9 5 ♣ K Q J 9 6	♠ Q 10 9 6 ♥ 4 ♦ A 6 3 ♣ 10 8 7 5 3	<div style="text-align: center; border: 1px solid black; width: 40px; height: 40px; margin: 0 auto; background-color: #008000; color: white; display: flex; flex-direction: column; align-items: center; justify-content: center;"> N W S E </div>	♠ A 5 4 3 ♥ A 10 9 8 ♦ K 10 8 4 2 ♣ — ♠ J 8 7 ♥ K Q 5 3 2 ♦ Q 7 ♣ A 4 2
--	--	--	--

EW 2♥; E 3♦; EW 1N; W 2♦; E 2♣; EW 1♠; W 1♣;
 Par -110: E 1♦+2; EW 1♥+1

YELLOW MONDAY 5/15/23

Board 19
South Deals
E-W Vul


	♠ 9 7		
	♥ A J 3 2		
	♦ 7 3		
	♣ A K 6 4 3		
♠ 10 8 3		♠ A J 4 2	
♥ Q 10 6 5		♥ 7 4	
♦ A 10 6 5		♦ K Q J 8 4	
♣ J 9		♣ 10 2	
	♠ K Q 6 5		
	♥ K 9 8		
	♦ 9 2		
	♣ Q 8 7 5		



NS 3♥; NS 4♣; NS 1N; NS 1♠; EW 1♦; Par +140: NS 1♥+2

YELLOW MONDAY 5/15/23

Board 20
West Deals
Both Vul

	♠ 10		
	♥ A J 10 8 4 3		
	♦ 3		
	♣ 9 8 6 5 2		
♠ K J 6 2 ♥ Q 2 ♦ A 10 9 6 ♣ Q J 4		♠ A Q 9 7 3 ♥ K 6 5 ♦ Q J 8 4 2 ♣ —	
	♠ 8 5 4		
	♥ 9 7		
	♦ K 7 5		
	♣ A K 10 7 3		

EW 6♠; EW 6♦; EW 4N; N 2♥; NS 3♣; S 1♥;
Par -1100: NS 7♣×-4

YELLOW MONDAY 5/15/23

Board 21
North Deals
N-S Vul

	♠ 9 7 3		
	♥ A 6 4 2		
	♦ Q J 9 4		
	♣ Q 6		
♠ Q 2		♠ A K J 10 6	
♥ Q J 9		♥ 10 5 3	
♦ A 7 6 2		♦ 8	
♣ A 9 3 2		♣ 10 7 5 4	
	♠ 8 5 4		
	♥ K 8 7		
	♦ K 10 5 3		
	♣ K J 8		

EW 2♠; EW 3♣; EW 1N; NS 1♦; Par -110; EW 1♠+1; EW 2♣+1

YELLOW MONDAY 5/15/23

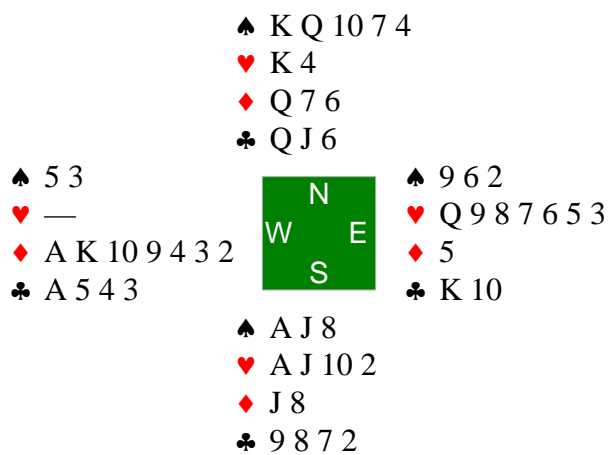
Board 22
East Deals
E-W Vul

	♠ A J 6 2		
	♥ J 10		
	♦ 8 3 2		
	♣ A J 4 2		
♠ K 7		♠ 9 3	
♥ Q 7 5 3		♥ A K 9 8 4	
♦ A K Q 10 9		♦ 4	
♣ K 10		♣ Q 9 6 5 3	
	♠ Q 10 8 5 4		
	♥ 6 2		
	♦ J 7 6 5		
	♣ 8 7		

W 5N; W 5♥; E 4♥; W 5♦; W 5♣; E 4♦; E 3♣; E 1N; W 1♠;
Par -660: W 3N+2

YELLOW MONDAY 5/15/23

Board 23
 South Deals
 Both Vul



NS 3N; EW 2♦; EW 1♣; Par +500: EW 4♦×-2

YELLOW MONDAY 5/15/23


Board 24
West Deals
None Vul

	♠ 8 4		
	♥ Q J 5 3		
	♦ 9 8		
	♣ A J 5 4 2		
♠ A 10		♠ J 7 5	
♥ 9 7 6 2		♥ A K 8 4	
♦ K J 5 4 3		♦ A 7 6	
♣ Q 8		♣ 9 6 3	
	♠ K Q 9 6 3 2		
	♥ 10		
	♦ Q 10 2		
	♣ K 10 7		

EW 2N; NS 2♠; EW 2♥; EW 3♦; NS 2♣; Par -100: NS 3♠×-1

YELLOW MONDAY 5/15/23


Board 25
North Deals
E-W Vul

♠ K Q J 7		♠ 10 8 3
♥ A K 9 6 4		♥ 3 2
♦ K J		♦ Q 10 8 4
♣ 7 5		♣ A J 10 8
		
		♠ A 9 5 4 2
		♥ 8 5
		♦ 6 2
		♣ K 6 4 3
		♠ 6
		♥ Q J 10 7
		♦ A 9 7 5 3
		♣ Q 9 2

EW 5♠; EW 3♥; EW 2N; NS 2♦; W 1♣; Par -650; EW 5♠=

YELLOW MONDAY 5/15/23

Board 26
 East Deals
 Both Vul

	♠ A 3		
	♥ A Q 8 6 5 2		
	♦ J 10 9		
	♣ K 3		
♠ J 7 6 4 2		♠ K Q 10 9 8	
♥ 7 3		♥ K J	
♦ 8 2		♦ Q 7 6	
♣ 10 8 6 5		♣ J 9 2	
	♠ 5		
	♥ 10 9 4		
	♦ A K 5 4 3		
	♣ A Q 7 4		

NS 6♥; NS 6♦; NS 4N; NS 4♣; NS 1♠; Par +1430; NS 6♥=

YELLOW MONDAY 5/15/23

Board 27
 South Deals
 None Vul

♠ 9 6 3		♠ K Q 10
♥ 10 4 3		♥ 9 5
♦ A 10 7 2		♦ K J 8 5
♣ A 8 3		♣ Q J 5 4
	♠ A 4 2	
	♥ A K 2	
	♦ Q 6 3	
	♣ 10 9 7 2	
	♠ J 8 7 5	
	♥ Q J 8 7 6	
	♦ 9 4	
	♣ K 6	

S 2♠; NS 2♥; EW 1N; N 1♠; EW 1♦; EW 1♣; Par +100: EW 2N×-1

YELLOW MONDAY 5/15/23

Board 28
West Deals
N-S Vul

♠ A K 10 9 8 5		
♥ A 7		
♦ J 10 3		
♣ 7 2		
♠ Q 4		♠ J
♥ K 10 6		♥ Q 9 8 4 3
♦ A Q 4 2		♦ K 9 8 7
♣ K J 10 3		♣ Q 8 4
♠ 7 6 3 2		
♥ J 5 2		
♦ 6 5		
♣ A 9 6 5		



NS 3♠; EW 3♥; EW 4♦; NS 2N; EW 2♣; Par -130; EW 4♦=

YELLOW MONDAY 5/15/23

Board 29
North Deals
Both Vul

♠ K 7 6 4		♠ Q 5 3 2
♥ 10 6 5 4		♥ Q J 9
♦ A J 9 3		♦ 8 6
♣ K		♣ 9 8 5 3
		♠ 8
		♥ 8 7 3
		♦ K 10 7 4
		♣ A 10 7 6 2

♠ A J 10 9
♥ A K 2
♦ Q 5 2
♣ Q J 4



NS 3N; NS 4♣; NS 2♥; NS 3♦; NS 1♠; Par +600; NS 3N=

YELLOW MONDAY 5/15/23


Board 30
East Deals
None Vul

	♠ J 10 9 4	
	♥ 4 3	
	♦ K 10 4 3	
	♣ 10 8 6	
♠ 8 6 5		♠ Q 3
♥ A K 10 9 2	W N E	♥ J 8 7
♦ 8 6 5	S	♦ A Q
♣ 5 3		♣ A K J 9 7 2
	♠ A K 7 2	
	♥ Q 6 5	
	♦ J 9 7 2	
	♣ Q 4	

EW 5♥; EW 3N; EW 5♣; NS 1♦; Par -450: EW 4♥+1

YELLOW MONDAY 5/15/23

Board 31
South Deals
N-S Vul

♠ 2		♠ A K 9 7
♥ J 9 5 4		♥ —
♦ 9 7 5 3		♦ J 8 6 2
♣ A K J 2		♣ Q 10 8 5 4
		
		♠ 8 6 5 3
		♥ A K 10 8 3 2
		♦ A 4
		♣ 3
		♠ Q J 10 4
		♥ Q 7 6
		♦ K Q 10
		♣ 9 7 6

EW 5♥; NS 2♠; NS 2♣; NS 1♦; Par -450: EW 4♥+1

YELLOW MONDAY 5/15/23

Board 32
West Deals
E-W Vul

	♠ 10 8		
	♥ A 10 6		
	♦ J 8		
	♣ 10 8 7 4 3 2		
♠ A Q J 9 4		♠ K 5 3	
♥ J 9 8 2		♥ Q 7 5 4	
♦ Q 10 9		♦ A K 7 5 2	
♣ J		♣ K	
	♠ 7 6 2		
	♥ K 3		
	♦ 6 4 3		
	♣ A Q 9 6 5		

EW 3♠; EW 3♥; EW 3♦; NS 3♣; Par -100; NS 4♣×-1

YELLOW MONDAY 5/15/23

Board 33
North Deals
None Vul

♠ J 8 7 3			
♥ K 6			
♦ 9 5			
♣ 10 7 6 5 3			
♠ Q 4 2			♠ K 6 5
♥ J 10 8			♥ 5 3 2
♦ 10 7 4			♦ K Q 8 6 3
♣ K 9 8 2			♣ Q 4
♠ A 10 9			
♥ A Q 9 7 4			
♦ A J 2			
♣ A J			

NS 4♠; NS 3N; NS 3♥; NS 4♣; NS 2♦; Par +420; NS 4♠=

YELLOW MONDAY 5/15/23

Board 34
East Deals
N-S Vul

	♠ A Q 10 2	
	♥ Q 10	
	♦ A 10 9 6	
	♣ Q 10 7	
♠ 8 6 3		♠ K J 5
♥ 8 7 6 5		♥ A J
♦ K Q 5 4 3		♦ 8 7 2
♣ 3		♣ A K 9 8 6
	♠ 9 7 4	
	♥ K 9 4 3 2	
	♦ J	
	♣ J 5 4 2	

NS 1N; EW 2♦; N 1♠; N 1♣; Par -90; EW 2♦=

YELLOW MONDAY 5/15/23

Board 35
South Deals
E-W Vul

	♠ Q 9 6 2		
	♥ 8 6 2		
	♦ Q 5		
	♣ K 7 5 3		
♠ 7 4		♠ A K 10 8	
♥ K J 10 9 5 3		♥ A Q 7 4	
♦ K 10 7		♦ A 6 4	
♣ J 10		♣ 4 2	
	♠ J 5 3		
	♥ —		
	♦ J 9 8 3 2		
	♣ A Q 9 8 6		

EW 4♥; EW 2N; NS 2♣; EW 1♠; Par -500; NS 5♣×-3

YELLOW MONDAY 5/15/23

Board 36
West Deals
Both Vul

	♠ Q	
	♥ J 9 8 4 2	
	♦ K J 10 6	
	♣ 9 6 2	
♠ A 7 5 2		♠ J 10 9 4
♥ K 7 6 5		♥ A Q
♦ 9 5 4		♦ A 7 3
♣ Q 4		♣ 10 7 5 3
	♠ K 8 6 3	
	♥ 10 3	
	♦ Q 8 2	
	♣ A K J 8	

NS 2♥; NS 2♦; NS 2♣; EW 1♠; Par +110; NS 2♥=