


Board 1
North Deals
None Vul

	♠ A Q 7 5	
	♥ 6 4	
	♦ K J 8 7 3	
	♣ 5 2	
♠ 6		♠ K 10 2
♥ A K J 9 5 3	W N E	♥ 10 8 7 2
♦ A Q 9 2	S	♦ 6 5
♣ J 10		♣ A Q 9 3
	♠ J 9 8 4 3	
	♥ Q	
	♦ 10 4	
	♣ K 8 7 6 4	

EW 5♥; EW 3N; NS 2♠; E 1♦; EW 1♣; Par -450: EW 5♥=

Board 2
East Deals
N-S Vul

♠ A K 6 3		♠ Q J 10 9 2
♥ A J		♥ 9 6
♦ A J 5 2		♦ K 6 4
♣ J 3 2		♣ K 6 5
		
		♠ 8 5 4
		♥ K 8 4
		♦ 9 7
		♣ A Q 10 9 8
		♠ 7
		♥ Q 10 7 5 3 2
		♦ Q 10 8 3
		♣ 7 4

EW 5N; EW 5♣; EW 3♠; EW 4♦; EW 2♥; Par -460; EW 3N+2

Board 3
 South Deals
 E-W Vul

♠ K Q	♠ 7 5	♠ A 9 8 6
♥ A 6 3	♥ K 10 9 8 7	♥ 4
♦ 5	♦ Q J 8 7 2	♦ A K 9 4
♣ A 10 9 7 4 3 2	♣ J	♣ K 8 6 5

♠ J 10 4 3 2	♠	♠
♥ Q J 5 2	♥	♥
♦ 10 6 3	♦	♦
♣ Q	♣	♣

EW 7N; EW 7♣; EW 3♠; EW 2♦; EW 1♥; Par -2220; EW 7N=

Board 4


West Deals

Both Vul

♠ K 2	♠ A Q 8 3	♠ J 7 5
♥ Q J 7 4 3	♥ A K 9 8 2	♥ 10
♦ A Q 10 7	♦ J 2	♦ K 8 6 5
♣ A 5	♣ 8 3	♣ K Q 10 7 4
	♠ 10 9 6 4	
	♥ 6 5	
	♦ 9 4 3	
	♣ J 9 6 2	

EW 4♦; EW 2N; W 2♥; EW 3♣; NS 1♠; E 1♥; Par -130: EW 2♦+2

Board 5
North Deals
N-S Vul

♠ 9 5 2		♠ A J
♥ 10 8 5 3		♥ K Q 2
♦ K 8 4		♦ 9 7
♣ 8 7 3		♣ A Q J 10 9 6
		
		♠ Q 8 6
		♥ A 9 7
		♦ Q 10 3 2
		♣ K 5 4
		♠ K 10 7 4 3
		♥ J 6 4
		♦ A J 6 5
		♣ 2

NS 4♠; NS 4♥; NS 3N; NS 4♣; NS 3♦; Par +620: NS 4♥=; NS 4♠=

Board 6
East Deals
E-W Vul

♠ 9 7 6 3		♠ Q J 4
♥ 6 5 2		♥ Q J 10 7
♦ K 9 4 3 2		♦ J 7 5
♣ 7		♣ 10 8 3
	♠ K 8	
	♥ A 9 8 4	
	♦ A 10 8 6	
	♣ J 6 2	
	♠ A 10 5 2	
	♥ K 3	
	♦ Q	
	♣ A K Q 9 5 4	

NS 3♠; NS 4♣; NS 1N; NS 1♥; EW 1♦; Par +140: NS 1♠+2

Board 7
South Deals
Both Vul

♠ J 10 6 5		♠ K 2
♥ A 10 7 2		♥ K J
♦ 8 5 2		♦ K J 10 3
♣ A 8		♣ K J 10 9 7
	♠ A 8 3	
	♥ Q 8 6 5 4	
	♦ A 4	
	♣ Q 4 3	
	♠ Q 9 7 4	
	♥ 9 3	
	♦ Q 9 7 6	
	♣ 6 5 2	

EW 3♥; EW 2N; EW 2♠; NS 2♦; NS 2♣; Par -140: EW 2♥+1

Board 8

West Deals
None Vul

	♠ K J 6 3	
	♥ J 10 2	
	♦ J 8 5	
	♣ K 8 4	
♠ 9 5 2		♠ Q 10
♥ A K 9 4		♥ 7 6 5 3
♦ A Q 4		♦ 10 9 7 3 2
♣ 9 7 5		♣ Q J
	♠ A 8 7 4	
	♥ Q 8	
	♦ K 6	
	♣ A 10 6 3 2	

S 4N; S 4♠; N 3N; N 3♠; S 4♣; N 3♣; EW 1♥; EW 1♦;
Par +430: S 3N+1

Board 9
North Deals
E-W Vul

	♠ 8 6 3	
	♥ A K 9	
	♦ A Q 9 5 2	
	♣ 10 9	
♠ Q 7 5		♠ K 9 4 2
♥ Q 6		♥ 10 8 3
♦ K J 10 8 7		♦ 3
♣ Q 6 5		♣ A J 7 4 3
	♠ A J 10	
	♥ J 7 5 4 2	
	♦ 6 4	
	♣ K 8 2	

NS 4♥; NS 3N; NS 3♦; NS 1♠; Par +420; NS 4♥=

Board 10
East Deals
Both Vul

♠ 10 3 2		♠ A 6
♥ Q 10 7 4		♥ A K J 9 6 5 3
♦ J 9 2		♦ 7 6 3
♣ 8 5 3		♣ 7
	♠ Q 8 4	
	♥ 8	
	♦ K Q 10 4	
	♣ J 10 6 4 2	
	♠ K J 9 7 5	
	♥ 2	
	♦ A 8 5	
	♣ A K Q 9	


NS 6N; NS 6♠; NS 6♥; NS 4♦; NS 4♣; Par +1440: NS 6N=

Board 11
South Deals
None Vul

	♠ 10 8 4 3 2		
	♥ 9 8 2		
	♦ A 5		
	♣ K 7 5		
♠ 7 6 5		♠ Q J 9	
♥ A Q 6 3		♥ J 4	
♦ Q 10 9 7 2		♦ K J 6	
♣ 3		♣ A Q 10 9 8	
	♠ A K		
	♥ K 10 7 5		
	♦ 8 4 3		
	♣ J 6 4 2		

EW 2N; EW 3♦; EW 2♣; EW 1♠; EW 1♥; Par -120; EW 1N+1

Board 12
West Deals
N-S Vul

♠ 10 6		♠ 3 2
♥ K 5 4 2		♥ A Q 7 6 3
♦ 10 9 8 4		♦ A J 6 5
♣ J 10 8		♣ 3 2
		♠ A K 9 8 7 5
		♥ 9
		♦ Q 7
		♣ A K 9 6
		♠ Q J 4
		♥ J 10 8
		♦ K 3 2
		♣ Q 7 5 4

NS 3N; NS 3♥; EW 2♠; NS 2♦; EW 2♣;
Par +300: EW 4♣×-2; EW 4♠×-2

Board 13
North Deals
Both Vul

	♠ K 8 4 3 2	
	♥ K J 7 2	
	♦ 10	
	♣ K 8 7	
♠ J 6 5		♠ 10 9
♥ 4		♥ A 10 8 3
♦ A K Q 5 2		♦ 8 6 4 3
♣ Q 10 3 2		♣ A 5 4
	♠ A Q 7	
	♥ Q 9 6 5	
	♦ J 9 7	
	♣ J 9 6	

EW 4♦; NS 2♥; EW 1N; EW 2♣; NS 1♠; Par -130: EW 3♦+1

Board 14
East Deals
None Vul

♠ QJ4	♠ 9	♠ 1086
♥ AQ106	♥ 972	♥ KJ83
♦ J7542	♦ AQ83	♦ K10
♣ 4	♣ KQ973	♣ J652
		♠ AK7532
		♥ 54
		♦ 96
		♣ A108

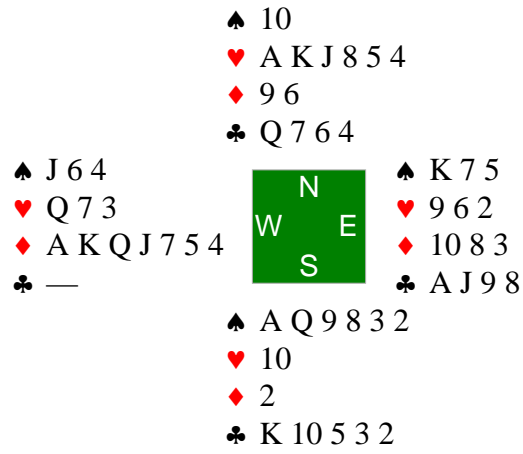
NS 3♠; NS 4♣; NS 2N; EW 1♥; Par +140; NS 2♠+1

Board 15
South Deals
N-S Vul

♠ A 5	♠ K 9 6 4	♠ Q J 8 7 2
♥ J 7 5	♥ 10 9 3 2	♥ 6
♦ K 10 4 3	♦ Q J 8	♦ 7 6
♣ K Q J 4	♣ 9 8	♣ A 6 5 3 2
	♠ 10 3	
	♥ A K Q 8 4	
	♦ A 9 5 2	
	♣ 10 7	

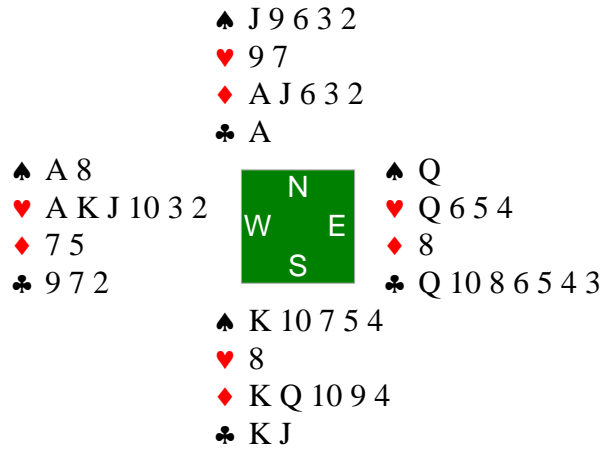
NS 3♥; EW 4♣; EW 2♠; NS 1♦; Par -130: EW 4♣=

Board 16
 West Deals
 E-W Vul



S 4♥; S 3♠; N 3♥; NS 4♣; N 2♠; EW 1♦; Par +420: S 4♥=

Board 17
North Deals
None Vul



NS 5♠; EW 4♥; NS 4♦; EW 4♣; Par +300: EW 6♣×-2; EW 6♥×-2

Board 18
East Deals
N-S Vul

	♠ 8	
	♥ K Q J 8 3 2	
	♦ 9 7 4	
	♣ 10 7 6	
♠ Q J 9 6 5 3		♠ A K
♥ A 9 6		♥ 10
♦ 6		♦ A K J 8 5
♣ A 9 5		♣ Q J 8 4 3
	♠ 10 7 4 2	
	♥ 7 5 4	
	♦ Q 10 3 2	
	♣ K 2	

EW 7N; EW 7♠; EW 6♣; EW 5♦; EW 1♥; Par -1520; EW 7N=


Board 19
 South Deals
 E-W Vul

♠ K 9 8 6 3	<div style="background-color: #008000; color: white; padding: 10px; display: inline-block; text-align: center;">N W E S</div>	♠ Q J 4
♥ Q 10 7 6 5		♥ 8 3
♦ 3		♦ Q J 10 8 4
♣ J 6		♣ A Q 10

♠ 7 5 2
♥ A K 2
♦ K 7 6
♣ 8 4 3 2
♠ A 10
♥ J 9 4
♦ A 9 5 2
♣ K 9 7 5

EW 2♠; NS 1N; NS 2♣; EW 1♥; NS 1♦;
 Par -100: NS 2N×-1; NS 3♣×-1

Board 20
West Deals
Both Vul

♠ 7 5 4 3		♠ J 8
♥ K Q 7 2		♥ J 10 4 3
♦ A		♦ K Q 8 7 2
♣ A J 10 2		♣ Q 9
		
		♠ Q 10 9 6 2
		♥ 8 5
		♦ 10 5
		♣ K 7 6 3
		♠ A K
		♥ A 9 6
		♦ J 9 6 4 3
		♣ 8 5 4

EW 4♠; EW 4♣; NS 2♦; S 1♥; Par -620: EW 4♠=

Board 21
North Deals
N-S Vul

♠ Q J 10 8 7		♠ A K 6 3
♥ K Q J		♥ 10 5
♦ 10 5		♦ 6 4 3 2
♣ A 9 2		♣ J 8 7
	W N E	♠ 5 4
	S	♥ 7 6
		♦ A K 9 8 7
		♣ K 10 4 3
		♠ 9 2
		♥ A 9 8 4 3 2
		♦ Q J
		♣ Q 6 5

EW 4N; EW 3♠; EW 3♦; EW 2♣; EW 1♥; Par -430; EW 3N+1

Board 22
 East Deals
 E-W Vul

♠ A J 7	♠ K Q 6	♠ 9 8 5 3
♥ —	♥ K 9 7 3 2	♥ A Q 10 8 6
♦ A K 7 6	♦ 9	♦ 4 3 2
♣ A Q 9 7 4 3	♣ 10 8 5 2	♣ K
	<div style="display: inline-block; background-color: #008000; color: white; padding: 5px; text-align: center; border: 1px solid black;"> N W E S </div>	
	♠ 10 4 2	
	♥ J 5 4	
	♦ Q J 10 8 5	
	♣ J 6	

EW 4N; EW 4♠; W 3♥; EW 4♣; E 2♥; EW 3♦; Par -630; EW 3N+1

Board 23
South Deals
Both Vul

♠ K 7 6 5		♠ Q 9 8 4
♥ A J 8 3		♥ Q 2
♦ Q		♦ 10 6 4
♣ A 8 6 3		♣ Q 10 7 4
	♠ A	
	♥ K 9 7 5	
	♦ K J 9 3 2	
	♣ K J 9	
	♠ J 10 3 2	
	♥ 10 6 4	
	♦ A 8 7 5	
	♣ 5 2	

EW 6N; EW 6♥; EW 6♦; EW 4♠; EW 5♣; Par -1440; EW 6N=

Board 24
West Deals
None Vul

♠ A J 8 7	♠ K 10 9 5 3	♠ Q 6 4 2
♥ J 3	♥ Q 6 4	♥ 10 8 5 2
♦ A Q J 7 3	♦ K 4	♦ 10 6 2
♣ A 3	♣ J 10 4	♣ 6 2

♠ —
♥ A K 9 7
♦ 9 8 5
♣ K Q 9 8 7 5

NS 5♣; NS 3♥; NS 1N; NS 1♠; E 1♦; Par +400: NS 5♣=

Board 25
 North Deals
 E-W Vul

♠ 8 4	♠ Q J 3	♠ A K 9 7 6 5
♥ J 10 5 3 2	♥ Q 7 6	♥ A 8
♦ K	♦ J 8 4	♦ A 10 5
♣ 10 8 7 5 3	♣ A K Q 4	♣ J 9
	<div style="display: inline-block; background-color: #008000; color: white; padding: 5px; text-align: center; margin: 0 5px;"> N W E S </div>	
	♠ 10 2	
	♥ K 9 4	
	♦ Q 9 7 6 3 2	
	♣ 6 2	

EW 2♠; E 2♥; EW 1N; NS 2♦; W 1♥; EW 1♣; Par -100; NS 3♦×-1

Board 26
East Deals
Both Vul

	♠ 5 2	
	♥ 10	
	♦ A J 8 3	
	♣ K Q 9 8 3 2	
♠ 8 3		♠ K Q 10 9
♥ K Q 9 8 7		♥ J 5 4 3
♦ K 10 9 4 2		♦ 7 6 5
♣ 5		♣ J 4
	♠ A J 7 6 4	
	♥ A 6 2	
	♦ Q	
	♣ A 10 7 6	

NS 6♣; NS 4N; NS 4♠; EW 1♥; NS 1♦; Par +1370: NS 6♣=

Board 27
South Deals
None Vul

	♠ J	
	♥ A Q 8 4	
	♦ A K 10 9 6 3	
	♣ Q 2	
♠ A K 6 3 2		♠ 9 8 7 4
♥ J 6		♥ K 9 7 3 2
♦ 2		♦ 8 4
♣ J 8 7 4 3		♣ 10 5
	♠ Q 10 5	
	♥ 10 5	
	♦ Q J 7 5	
	♣ A K 9 6	

Diagram: A green square with 'N' at the top, 'S' at the bottom, 'W' on the left, and 'E' on the right.

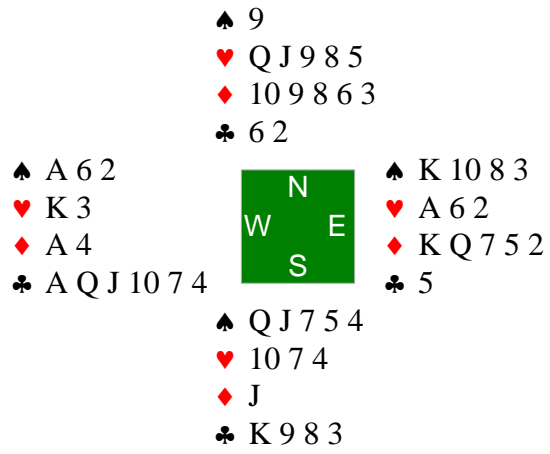
NS 5N; NS 5♦; NS 2♣; NS 1♥; Par +460: NS 3N+2

Board 28
West Deals
N-S Vul

♠ 9 8		♠ 5 2
♥ K Q 2		♥ A 10 8 6 4
♦ K 10 9 4		♦ Q 8 7 6
♣ K J 5 3		♣ Q 4
	♠ A K 6 3	
	♥ 9 5 3	
	♦ 2	
	♣ A 10 9 8 6	
	♠ Q J 10 7 4	
	♥ J 7	
	♦ A J 5 3	
	♣ 7 2	

EW 4♣; EW 2N; EW 1♠; EW 1♥; EW 1♦; Par -130; EW 1♣+3

Board 29
North Deals
Both Vul



EW 6N; EW 6♣; EW 4♠; EW 5♦; EW 3♥; Par -1440; EW 6N=

Board 30
East Deals
None Vul

♠ Q 5 4 2		♠ A K
♥ J 10 8		♥ A 6
♦ A 9		♦ K Q J 10 6 4
♣ K J 9 6		♣ Q 5 3
	W	
	N	
	E	
	S	
		♠ J 9
		♥ K Q 9 7 5 4
		♦ 2
		♣ A 7 4 2
		♠ 10 8 7 6 3
		♥ 3 2
		♦ 8 7 5 3
		♣ 10 8

EW 4♥; EW 4♣; NS 3♦; Par -300; NS 5♦×-2

Board 31
South Deals
N-S Vul

♠ 9 7		♠ J 10 8 5	
♥ K J 5 4 2		♥ Q 9 8 7 3	
♦ A 8 3		♦ K	
♣ K 4 3		♣ Q 9 2	
	♠		♠ K Q 6 4
	♥		♥ —
	♦		♦ Q 9 5 4 2
	♣		♣ A J 7 6
	♠		♠ A 3 2
	♥		♥ A 10 6
	♦		♦ J 10 7 6
	♣		♣ 10 8 5

EW 4♦; EW 2N; EW 2♠; EW 2♥; EW 3♣; Par -130; EW 1♦+3

Board 32
West Deals
E-W Vul

♠ K 9 4 3 2		♠ 10 8 7
♥ A 9 6		♥ Q J 7 3
♦ 8 6		♦ K
♣ K Q 5		♣ A 8 7 6 2
	♠ 6 5	
	♥ K 4 2	
	♦ Q 9 5 4 3	
	♣ J 9 4	
	♠ A Q J	
	♥ 10 8 5	
	♦ A J 10 7 2	
	♣ 10 3	

NS 1N; NS 1♥; NS 1♦; NS 1♣; Par +90: NS 1N=

Board 33
North Deals
None Vul

♠ Q J 7 6 5		♠ 8
♥ 5		♥ A Q J 9 8 2
♦ 8 6 4		♦ A 7 3
♣ K 9 6 3		♣ Q 10 2
	W	
	N	
	E	
	S	
		♠ A K 10 9 4 2
		♥ 6 4 3
		♦ 9 5
		♣ A J
		♠ 3
		♥ K 10 7
		♦ K Q J 10 2
		♣ 8 7 5 4

EW 4♠; NS 3♥; NS 3♦; N 1♣; Par -300; NS 5♦×-2; NS 5♥×-2

Board 34
 East Deals
 N-S Vul

♠ K 6	♠ A Q J 5		
♥ A Q 8 5 4	♥ 6 2		
♦ Q 8 5 3	♦ 4		
♣ 6 4	♣ Q J 10 9 7 3		
	<div style="display: inline-block; background-color: #008000; color: white; padding: 5px; border: 1px solid black;"> N W E S </div>		
	♠ 4 2	♠ 10 9 8 7 3	
	♥ K 10 9 3	♥ J 7	
	♦ K J 7 6	♦ A 10 9 2	
	♣ K 5 2	♣ A 8	

S 2N; NS 3♣; N 1N; EW 2♦; EW 1♠; EW 1♥; Par +100; EW 3♦×-1

Board 35
South Deals
E-W Vul

♠ J 9 3	♠ 6 5	♠ A K 8 4 2
♥ A 8 6 5 3	♥ 10 4	♥ 9
♦ 10 9	♦ A K Q J 7 6 4	♦ 8 5 3 2
♣ J 7 4	♣ K 8	♣ A 5 2
	♠ Q 10 7	
	♥ K Q J 7 2	
	♦ —	
	♣ Q 10 9 6 3	

NS 2♥; NS 1N; NS 2♦; EW 1♠; NS 1♣; Par +110: NS 2♥=

Board 36

West Deals

Both Vul

♠ A 10 7 6		♠ J 9 2	
♥ K 7		♥ Q J 8 6	
♦ K 6 3		♦ 8 4	
♣ 9 7 6 4		♣ K J 5 3	
	W		E
	S		
		♠ 8 4	
		♥ 9 2	
		♦ J 10 7 5 2	
		♣ A Q 10 8	
		♠ K Q 5 3	
		♥ A 10 5 4 3	
		♦ A Q 9	
		♣ 2	

NS 3♥; EW 1N; EW 2♦; EW 2♣; NS 1♠; Par +140: NS 2♥+1