

Board 1
North Deals
None Vul

Purple - Thursday

	♠ K 9 8 3		
	♥ Q 9 6		
	♦ K J 6 5		
	♣ A 2		
♠ 4			♠ Q J 6 5 2
♥ A 10 7 5 4 2			♥ K 8
♦ 9 8 7 3			♦ 10 4 2
♣ Q 8			♣ K J 5
	♠ A 10 7		
	♥ J 3		
	♦ A Q		
	♣ 10 9 7 6 4 3		

NS 3N; NS 3♠; NS 3♣; NS 2♦; NS 1♥; Par +400; NS 3N=

Board 2
East Deals
N-S Vul


Purple - Thursday

♠ K 3		♠ A 9 6
♥ 6 3		♥ K Q 8 4
♦ J 10 8 7 2		♦ A 5
♣ A K 3 2		♣ Q 10 8 5
	♠ N	♠ Q J 10 8 5 4 2
	W E	♥ A J 10 7
	♠ S	♦ 9
		♣ 7
		♠ 7
		♥ 9 5 2
		♦ K Q 6 4 3
		♣ J 9 6 4

EW 4♠; NS 2♣; NS 1♥; Par -420; EW 4♠=

Board 3
South Deals
E-W Vul

Purple - Thursday

		♠ A J 7 3	
		♥ J 10	
		♦ Q 4	
		♣ A 10 7 5 2	
♠ Q 6 5 4		♠ K 2	
♥ 7 5		♥ Q 6	
♦ A 10 5 3 2		♦ J 9 7 6	
♣ J 3		♣ K Q 9 6 4	
		♠ 10 9 8	
		♥ A K 9 8 4 3 2	
		♦ K 8	
		♣ 8	

NS 5♥; NS 4N; NS 3♠; EW 1♦; NS 1♣; Par +450: NS 4♥+1

Board 4
 West Deals
 Both Vul

Purple - Thursday

♠ 10 6 3 2	♠ A Q J 8	♠ 9 7
♥ A Q 2	♥ 8 7 5 4	♥ K 10
♦ A 6	♦ 5 4	♦ K 10 9 8 3
♣ K 7 4 2	♣ 8 6 5	♣ Q J 10 9
	<div style="display: inline-block; background-color: #008000; color: white; padding: 5px; border: 1px solid black; text-align: center;"> N W E S </div>	
	♠ K 5 4	
	♥ J 9 6 3	
	♦ Q J 7 2	
	♣ A 3	

EW 4♣; EW 2N; EW 3♦; EW 1♠; NS 1♥; Par -130: EW 2♣+2

Board 5
 North Deals
 N-S Vul


Purple - Thursday

♠ 8 7 5 3	♠ K 9 4	♠ A J 6
♥ 10	♥ J 9 3	♥ 8 7 6 5 4 2
♦ 10 9 6 3	♦ J 5 4	♦ Q 8
♣ A 10 6 2	♣ K 9 8 5	♣ J 3
	<div style="display: inline-block; background-color: #008000; color: white; padding: 5px; border: 1px solid black;"> N W E S </div>	
	♠ Q 10 2	
	♥ A K Q	
	♦ A K 7 2	
	♣ Q 7 4	

NS 4N; NS 3♠; NS 2♥; NS 3♦; NS 3♣; Par +630; NS 3N+1

Board 6
 East Deals
 E-W Vul

Purple - Thursday

<p>♠ Q J 8 ♥ Q J 5 ♦ A K 7 2 ♣ A K 7</p>		<p>♠ A K 7 ♥ A K 8 6 4 ♦ 10 6 4 ♣ 9 4</p> <p>♠ 10 4 ♥ 10 7 3 ♦ J 9 8 ♣ Q 8 6 3 2</p>
<p>♠ 9 6 5 3 2 ♥ 9 2 ♦ Q 5 3 ♣ J 10 5</p>		

EW 3N; NS 2♠; EW 2♦; EW 2♣; EW 1♥; Par -300: NS 4♠×-2

Board 7
South Deals
Both Vul

Purple - Thursday

♠ Q 7 4 3		♠ J 5
♥ 9 8 4		♥ K 10 7
♦ 10 8 7		♦ A Q 4 2
♣ 10 9 3		♣ A K 5 2
		♠ A 10 6
		♥ Q 5 3
		♦ J 6 5
		♣ Q 7 6 4

♠ K 9 8 2
♥ A J 6 2
♦ K 9 3
♣ J 8

♠ J 5
♥ K 10 7
♦ A Q 4 2
♣ A K 5 2

♠ A 10 6
♥ Q 5 3
♦ J 6 5
♣ Q 7 6 4

N 2N; N 2♠; S 1N; S 1♠; NS 1♥; NS 1♦; NS 1♣; Par +120; N 1N+1

Board 8
West Deals
None Vul

Purple - Thursday

♠ J 7		♠ 6 5 2
♥ 9 6 2		♥ Q J 10 7
♦ A K J 6 4		♦ 10 9
♣ 6 5 4		♣ K 10 7 3
		♠ A K Q 10 9 8 4 3
		♥ A K 8 5
		♦ 8
		♣ —

♠ —
♥ 4 3
♦ Q 7 5 3 2
♣ A Q J 9 8 2

♠ —
♥ 4 3
♦ Q 7 5 3 2
♣ A Q J 9 8 2

♠ —
♥ 4 3
♦ Q 7 5 3 2
♣ A Q J 9 8 2

♠ —
♥ 4 3
♦ Q 7 5 3 2
♣ A Q J 9 8 2

NS 4N; NS 4♠; NS 3♥; NS 2♦; NS 2♣; Par +430; NS 3N+1

Board 9
North Deals
E-W Vul

Purple - Thursday

♠ K 9 7
♥ K J 10 8 7 3
♦ K 5
♣ 10 6

♠ J 6
♥ 9 6 4
♦ Q 10 9 7 4
♣ A 5 2



♠ A 10 8 5 4 3
♥ A 2
♦ 6
♣ K J 9 8

♠ Q 2
♥ Q 5
♦ A J 8 3 2
♣ Q 7 4 3

EW 3♠; NS 2♥; EW 2♣; EW 1♦; Par -140; EW 3♠=

Board 10
East Deals
Both Vul


Purple - Thursday

	♠ 4 3										
	♥ A K 4 2										
	♦ A J 10 7 6 2										
	♣ 7										
♠ K Q 10 9 6 5	<table border="1"><tr><td></td><td>N</td><td></td></tr><tr><td>W</td><td></td><td>E</td></tr><tr><td></td><td>S</td><td></td></tr></table>		N		W		E		S		♠ J 8 7
	N										
W		E									
	S										
♥ 10 9 7 3		♥ Q J 5									
♦ 5		♦ K 3									
♣ K 10		♣ Q 9 8 5 2									
	♠ A 2										
	♥ 8 6										
	♦ Q 9 8 4										
	♣ A J 6 4 3										

NS 5♦; NS 1N; NS 1♠; NS 1♥; NS 1♣; Par +600; NS 5♦=

Board 11
 South Deals
 None Vul

Purple - Thursday

♠ QJ8654 ♥ AJ4 ♦ QJ7 ♣ 5		♠ 10973 ♥ Q7 ♦ AK65 ♣ K107		♠ — ♥ K963 ♦ 983 ♣ AQJ982
				
		♠ AK2 ♥ 10852 ♦ 1042 ♣ 643		

EW 2♠; EW 2♥; EW 3♣; EW 1N;
 Par -110: EW 1♣+2; EW 1♥+1; EW 1♠+1

Board 12
West Deals
N-S Vul

Purple - Thursday

♠ K J 10 8

♥ A 9 8

♦ Q 10 9 6

♣ A 8

♠ A 9 3

♥ Q 10 7 6 2

♦ K 8 2

♣ 9 3



♠ 7 6 5 2

♥ K J 5

♦ 5 4

♣ J 7 6 5

♠ Q 4

♥ 4 3

♦ A J 7 3

♣ K Q 10 4 2

NS 3♠; NS 4♦; NS 4♣; NS 2N; NS 1♥; Par +140; NS 1♠+2

Board 13
North Deals
Both Vul

Purple - Thursday

♠ J 9 6		♠ 10 4
♥ A Q 4 2		♥ K 6 5
♦ 8		♦ A Q J 9 6 5
♣ 10 9 7 5 2		♣ A 4
	♠ A Q 8 7 5 3 2	
	♥ 10	
	♦ K 3	
	♣ Q 6 3	
	♠ K	
	♥ J 9 8 7 3	
	♦ 10 7 4 2	
	♣ K J 8	

W 3N; EW 3♠; NS 3♥; NS 4♦; E 2N; W 3♣; E 2♣;
Par +130: NS 4♦ =

Board 14
East Deals
None Vul

Purple - Thursday

♠ K J 9 7 5 4

♥ 9 5 4

♦ A K

♣ 10 6

♠ 3 2

♥ A J 10 8

♦ 10 7 4 3

♣ Q J 8



♠ A 10 8

♥ K 3

♦ Q J 9 6 5

♣ 5 4 3

♠ Q 6

♥ Q 7 6 2

♦ 8 2

♣ A K 9 7 2

NS 3N; NS 2♠; NS 2♥; EW 2♦; NS 2♣; Par +300: EW 4♦×-2

Board 17
North Deals
None Vul

Purple - Thursday

♠ K 3		♠ Q J 7 6 5
♥ K 7 6 3		♥ 10 9
♦ 8 7		♦ A 9 5 2
♣ A K 7 5 3		♣ 9 8
		♠ A 10 9 2
		♥ Q 5 4 2
		♦ K Q 6 3
		♣ 2

♠ 8 4
♥ A J 8
♦ J 10 4
♣ Q J 10 6 4

♠ 8 4
♥ A J 8
♦ J 10 4
♣ Q J 10 6 4

♠ 8 4
♥ A J 8
♦ J 10 4
♣ Q J 10 6 4

♠ 8 4
♥ A J 8
♦ J 10 4
♣ Q J 10 6 4

NS 2N; NS 2♥; NS 2♦; NS 1♠; NS 1♣; Par +120; NS 1N+1

Board 18
East Deals
N-S Vul

Purple - Thursday

	♠ A J 10 7 5										
	♥ A Q 10 8										
	♦ 8										
	♣ Q J 7										
♠ K 8 4	<table><tr><td></td><td>N</td><td></td></tr><tr><td>W</td><td></td><td>E</td></tr><tr><td></td><td>S</td><td></td></tr></table>		N		W		E		S		♠ 9 2
	N										
W		E									
	S										
♥ J 9 6		♥ 5 3 2									
♦ Q 7 6 4 2		♦ J 9 5									
♣ K 10		♣ 9 6 4 3 2									
	♠ Q 6 3										
	♥ K 7 4										
	♦ A K 10 3										
	♣ A 8 5										

NS 6N; NS 6♠; NS 6♥; S 5♣; S 4♦; N 4♣; N 3♦;
Par +1440: NS 6N=

Board 19
South Deals
E-W Vul

Purple - Thursday

	♠ A Q J 2	
	♥ K 9 6	
	♦ J 10 7	
	♣ A K 4	
♠ 8 7 5 4		♠ K 10 3
♥ A J 10 8 7		♥ 5 3
♦ A		♦ Q 8 5 4
♣ 6 5 2		♣ 10 9 7 3
	♠ 9 6	
	♥ Q 4 2	
	♦ K 9 6 3 2	
	♣ Q J 8	

NS 3N; NS 3♦; NS 2♣; NS 1♠; S 1♥; Par +400: NS 3N=

Board 20
West Deals
Both Vul

Purple - Thursday

♠ Q 4
♥ J 3
♦ K Q 10 7 3 2
♣ A J 9

♠ A 10 6 2
♥ 6 5 4
♦ J 8 6
♣ K 8 3



♠ J 9 8 7 5 3
♥ K 9 7
♦ 5
♣ Q 7 6

♠ K
♥ A Q 10 8 2
♦ A 9 4
♣ 10 5 4 2

NS 6N; NS 6♥; NS 6♦; NS 4♣; NS 1♠; Par +1440; NS 6N=

Board 21
North Deals
N-S Vul

Purple - Thursday

	♠ A 10 8	
	♥ 6 5 4 3	
	♦ A 8 4	
	♣ A 10 4	
♠ J 9 7 5 4		♠ Q 6 2
♥ K 2		♥ Q 9
♦ 10 9 6		♦ K Q 5 2
♣ K 9 6		♣ Q 8 7 3
	♠ K 3	
	♥ A J 10 8 7	
	♦ J 7 3	
	♣ J 5 2	

A green square with the letters N, S, E, and W in the corners, representing the orientation of the cards.

N 3N; NS 3♥; S 2N; EW 1♠; NS 1♦; NS 1♣; Par +500: EW 4♠×-3

Board 22
East Deals
E-W Vul

Purple - Thursday

♠ —		♠ A K Q J 3
♥ A Q 9 8		♥ J 10 6 5
♦ Q 4 2		♦ 9 6 5
♣ K J 7 4 3 2		♣ 5
		♠ 9 8 5 2
		♥ 3 2
		♦ A K 8 3
		♣ A 10 8

♠ 10 7 6 4
♥ K 7 4
♦ J 10 7
♣ Q 9 6

♠ —
♥ A Q 9 8
♦ Q 4 2
♣ K J 7 4 3 2

♠ A K Q J 3
♥ J 10 6 5
♦ 9 6 5
♣ 5

♠ 9 8 5 2
♥ 3 2
♦ A K 8 3
♣ A 10 8

EW 3♥; EW 2N; EW 2♠; EW 1♦; EW 1♣; Par -140; EW 1♥+2

Board 23
South Deals
Both Vul

Purple - Thursday

♠ 10 8 5		♠ Q 9
♥ K Q 5		♥ 9 7 6 4
♦ 10 9 3		♦ Q J 6 4
♣ Q J 8 4		♣ 6 5 3
		♠ A K 7 4 3 2
		♥ 3
		♦ A K 5 2
		♣ 10 2

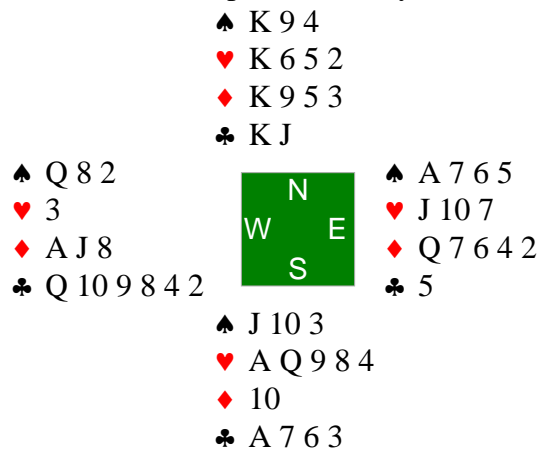
♠ J 6
♥ A J 10 8 2
♦ 8 7
♣ A K 9 7

W N E S

NS 6♠; NS 5N; NS 5♥; NS 5♣; NS 4♦; Par +1430; NS 6♠=

Board 24
West Deals
None Vul

Purple - Thursday



NS 5♥; NS 4N; NS 2♠; NS 2♣; NS 1♦; Par +450: NS 4♥+1

Board 26
East Deals
Both Vul

Purple - Thursday

♠ K 9 7 4 3 2

♥ J 9 8

♦ Q 6 2

♣ 2

♠ 6

♥ A K

♦ J 10 9 5

♣ K Q 7 6 4 3



♠ J 5

♥ Q 10 6 5 3 2

♦ K 7 4

♣ A 8

♠ A Q 10 8

♥ 7 4

♦ A 8 3

♣ J 10 9 5

EW 4♥; EW 4♣; NS 2♠; EW 3♦; Par -500; NS 4♠×-2

Board 27
South Deals
None Vul

Purple - Thursday

♠ 8 7 4			
♥ A K Q J 6			
♦ A 4 2			
♣ 8 6			
♠ Q 9 3			♠ K J 6 2
♥ 9 8 5 2			♥ 10 7
♦ 9 7 3			♦ J 10 8 5
♣ J 5 4			♣ K Q 7
♠ A 10 5			
♥ 4 3			
♦ K Q 6			
♣ A 10 9 3 2			



NS 4N; NS 4♥; NS 3♠; NS 4♣; NS 3♦; Par +430; NS 3N+1

Board 28
West Deals
N-S Vul

Purple - Thursday

♠ J 8 7		♠ A 10 9 5 4
♥ 10 9 8 5 3		♥ A Q 2
♦ K J 10 6		♦ 8 3
♣ 9		♣ A 10 7
	♠ Q 3 2	
	♥ 6	
	♦ Q 5 4 2	
	♣ J 6 5 3 2	
	♠ K 6	
	♥ K J 7 4	
	♦ A 9 7	
	♣ K Q 8 4	

NS 5N; NS 5♠; NS 4♥; NS 4♣; NS 2♦; Par +660: NS 3N+2

Board 29
North Deals
Both Vul

Purple - Thursday

	♠ A 10 5	
	♥ Q 10 8 7 2	
	♦ Q 5 3	
	♣ Q J	
♠ K Q 8 3		♠ 7 2
♥ 9 4		♥ A K J 3
♦ A 6		♦ J 9 4 2
♣ A K 9 4 2		♣ 10 8 3
	♠ J 9 6 4	
	♥ 6 5	
	♦ K 10 8 7	
	♣ 7 6 5	

Diagram: A green square with 'N' at the top, 'S' at the bottom, 'W' on the left, and 'E' on the right.

EW 3N; EW 4♣; EW 2♠; EW 2♥; EW 2♦; Par -600; EW 3N=

Board 30
East Deals
None Vul

Purple - Thursday

♠ 6 4
♥ K J 10 8 7 5 3
♦ Q 6 4
♣ 7

♠ K 8
♥ A 9 6
♦ 10 9 7 5 2
♣ J 10 3



♠ A 9
♥ 4
♦ A 8 3
♣ A K Q 9 8 6 2

♠ Q J 10 7 5 3 2
♥ Q 2
♦ K J
♣ 5 4

EW 6♣; EW 5N; EW 5♦; NS 2♥; Par -800: NS 6♥×-4

Board 31
South Deals
N-S Vul

Purple - Thursday

	♠ —										
	♥ K 10 9 8 6										
	♦ Q 10 7 4										
	♣ Q J 5 2										
♠ K 10 7 6 4	<table border="1"><tr><td></td><td>N</td><td></td></tr><tr><td>W</td><td></td><td>E</td></tr><tr><td></td><td>S</td><td></td></tr></table>		N		W		E		S		♠ A J 3
	N										
W		E									
	S										
♥ A Q 5		♥ 7 3									
♦ J 5 3		♦ A K 8									
♣ 8 7		♣ K 10 9 6 4									
	♠ Q 9 8 5 2										
	♥ J 4 2										
	♦ 9 6 2										
	♣ A 3										

W 3N; EW 3♠; W 4♣; E 1N; E 2♣; NS 1♥; W 1♦; Par -400: W 3N=

Board 32
West Deals
E-W Vul

Purple - Thursday

♠ 10 8 4
♥ 10 3
♦ A K 10 3
♣ K 7 3 2

♠ J 7 2
♥ Q 7 4
♦ Q J 8 7 6 5
♣ 8

	N	
W		E
	S	

♠ A K Q 9 3
♥ A K 8 2
♦ 9
♣ A Q 5

♠ 6 5
♥ J 9 6 5
♦ 4 2
♣ J 10 9 6 4

EW 6♠; EW 5♥; EW 4N; EW 4♦; EW 1♣; Par -1430; EW 6♠=

Board 33
North Deals
None Vul

Purple - Thursday

♠ J 10 8		
♥ K 9 8 4		
♦ A K 8 4		
♣ 8 3		
♠ Q 3 2		♠ A 9 6 4
♥ A 6 5 3 2		♥ Q 10 7
♦ 7 2		♦ 9 6 5
♣ 9 6 4		♣ K 10 5
♠ K 7 5		
♥ J		
♦ Q J 10 3		
♣ A Q J 7 2		

Diagram: A green square with 'N' at the top, 'S' at the bottom, 'W' on the left, and 'E' on the right.

NS 4N; NS 5♦; S 3♠; NS 4♣; N 2♠; NS 2♥; Par +430: NS 3N+1

Board 34
East Deals
N-S Vul

Purple - Thursday

♠ Q 10 7 5 4 3

♥ 8 2

♦ 6 5 4 3

♣ 10

♠ A 6 2

♥ K J 7 4 3

♦ A 8

♣ J 9 4



♠ K J 8

♥ Q 9 6

♦ K 7 2

♣ Q 5 3 2

♠ 9

♥ A 10 5

♦ Q J 10 9

♣ A K 8 7 6

EW 3N; EW 2♥; EW 2♣; EW 1♠; NS 1♦; Par -400; EW 3N=

Board 35
South Deals
E-W Vul

Purple - Thursday

♠ K Q 6 2

♥ K Q 7 6

♦ K 6

♣ J 6 2

♠ 10 8 4

♥ 10 9 5 2

♦ 10 4 3

♣ A Q 8



♠ J 9 3

♥ A J 3

♦ A J 7 2

♣ K 9 4

♠ A 7 5

♥ 8 4

♦ Q 9 8 5

♣ 10 7 5 3

EW 1N; NS 1♠; EW 1♥; NS 1♣; Par -90: EW 1N=

Board 36
West Deals
Both Vul

Purple - Thursday

	♠ J 6 5 4 3		
	♥ A 7 2		
	♦ J 6 5 3 2		
	♣ —		
♠ K		♠ A 10 7	
♥ K J 9 6 5 3		♥ 10 8 4	
♦ K Q 9 4		♦ 8 7	
♣ 10 5		♣ Q J 9 7 4	
	♠ Q 9 8 2		
	♥ Q		
	♦ A 10		
	♣ A K 8 6 3 2		

NS 4♠; EW 3♥; NS 1♦; NS 1♣; Par +500; EW 5♥×-2