

Board 1
North Deals
None Vul

♠ 10 9 7		♠ K 6 5 3 2
♥ A J 10 7 4		♥ K 6 3
♦ 9 4		♦ J 8 6
♣ J 10 5		♣ K 4
	♠ N	♠ A Q J 8 4
	W E	♥ Q
	S	♦ Q 10 7
		♣ Q 9 7 3
		♠ —
		♥ 9 8 5 2
		♦ A K 5 3 2
		♣ A 8 6 2

NS 4♦; NS 2♥; EW 1♠; Par +130: NS 3♦+1

Board 2
East Deals
N-S Vul

♠ QJ4	♠ 1052	♠ A986
♥ AQ10	♥ 76	♥ KJ8432
♦ KQJ2	♦ 9543	♦ 76
♣ 953	♣ KQ62	♣ 4

W N E
S

♠ K73
♥ 95
♦ A108
♣ AJ1087


EW 4♥; EW 3♠; EW 1N; EW 2♦; NS 1♣; Par -420: EW 4♥=

Board 3
South Deals
E-W Vul

♠ J 10 4 3		♠ K Q 6 2
♥ A 7 3		♥ K 10 6 4 2
♦ J 10 3 2		♦ A K 7
♣ 7 6		♣ 5
	♠ 9 8 5	
	♥ J 8 5	
	♦ Q 6	
	♣ A K 8 3 2	
	♠ A 7	
	♥ Q 9	
	♦ 9 8 5 4	
	♣ Q J 10 9 4	

NS 3N; NS 3♠; NS 3♥; NS 4♣; NS 3♦; Par +400: NS 3N=

Board 4
West Deals
Both Vul

♠ 9	♠ A 8 7 4 2	♠ K Q 10 6 5
♥ Q J 8 3	♥ A 7 6	♥ 5 4
♦ 5 4 3 2	♦ K J 10	♦ A Q 9
♣ 9 7 4 2	♣ J 10	♣ K Q 6
		
	♠ J 3	
	♥ K 10 9 2	
	♦ 8 7 6	
	♣ A 8 5 3	

EW 1N; NS 1♠; EW 1♥; EW 1♦; EW 1♣; Par -90: EW 1N=

Board 5
 North Deals
 N-S Vul

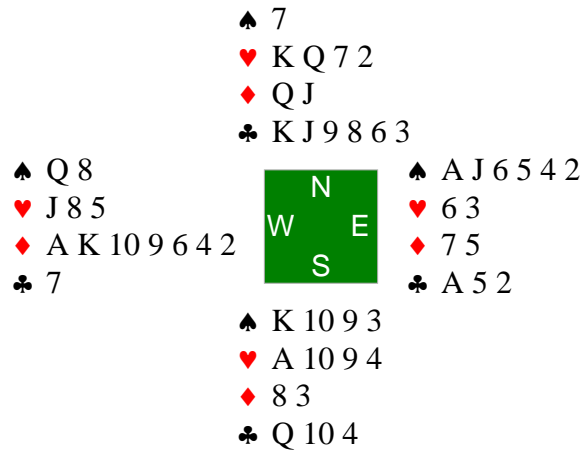
	♠ K Q J 7 5 4	
	♥ 5 3	
	♦ A 9 6	
	♣ 9 5	
♠ A 10 8		♠ 9 6
♥ 10 6 2		♥ A K Q 8 4
♦ Q 7 4 2		♦ K J 8
♣ 4 3 2		♣ A Q J
	♠ 3 2	
	♥ J 9 7	
	♦ 10 5 3	
	♣ K 10 8 7 6	

EW 4♥; EW 3♦; EW 1N; NS 1♠; EW 1♣; Par -420: EW 4♥=

Board 6

East Deals

E-W Vul



EW 3N; EW 3♠; EW 3♦; NS 3♣; NS 1♥; Par -100; NS 4♣×-1

Board 7
South Deals
Both Vul

♠ A Q J	♠ 6 4 3	♠ K 10 8
♥ Q 10 7 5	♥ 9 8 3	♥ K J 6
♦ A 5 3	♦ 7 6	♦ Q 10 4 2
♣ 10 8 4	♣ K 7 6 3 2	♣ J 9 5


♠ 9 7 5 2
♥ A 4 2
♦ K J 9 8
♣ A Q

EW 2N; EW 1♠; EW 1♥; EW 1♦; E 1♣; Par -120; EW 1N+1

Board 8

West Deals

None Vul

♠ 10 8 6 5		♠ A K 4
♥ 8 5 2		♥ A K 7 4
♦ 7 3		♦ K 9 2
♣ A Q J 2		♣ K 9 3
		
		♠ 3 2
		♥ Q J 6 3
		♦ A J 8
		♣ 8 7 5 4
		♠ Q J 9 7
		♥ 10 9
		♦ Q 10 6 5 4
		♣ 10 6

NS 4♠; NS 3N; NS 5♦; NS 2♥; NS 1♣; Par +420: NS 4♠=

Board 9
North Deals
E-W Vul

♠ A 9 6 5		♠ Q J 2
♥ A 10 9 7		♥ K J 3 2
♦ 5		♦ K Q 7 3
♣ 8 5 4 2		♣ 10 6
	♠ N	♠ K 10 8 4
	W E	♥ 5
	S	♦ A J 10 8 6 4
		♣ Q 7
		♠ 7 3
		♥ Q 8 6 4
		♦ 9 2
		♣ A K J 9 3

EW 3♠; NS 2♥; NS 1N; EW 2♦; Par -140: EW 3♠=

Board 10
East Deals
Both Vul

♠ K 8 6 2		♠ Q J 10 9
♥ J 6 2		♥ Q 5 4
♦ 10 9 2		♦ J 8
♣ A 10 9		♣ K 6 4 2
	♠ 5 4	
	♥ K	
	♦ A K Q 7 5 4 3	
	♣ J 8 3	
	♠ A 7 3	
	♥ A 10 9 8 7 3	
	♦ 6	
	♣ Q 7 5	

S 4♥; N 3♥; EW 4♦; NS 2♣; NS 1♠; Par +200: EW 5♦ ×-1

Board 11
South Deals
None Vul

♠ 4 2		♠ Q J 9
♥ A 7 5 3		♥ Q 8 4 2
♦ A 8 7		♦ K 10 6 4
♣ K Q 4 3		♣ 10 6
	♠ 5 3	
	♥ J 10 9 6	
	♦ Q 9 5	
	♣ A J 8 2	
	♠ A K 10 8 7 6	
	♥ K	
	♦ J 3 2	
	♣ 9 7 5	

NS 2♠; EW 2♥; EW 3♣; NS 1N; NS 1♦; Par -100; NS 3♠×-1

Board 12
West Deals
N-S Vul

	♠ A K 2	
	♥ Q 5	
	♦ Q J 10 2	
	♣ 10 9 7 4	
♠ 8 5 4		♠ 9 3
♥ A J 4 3		♥ 9 8 7 2
♦ A K 4		♦ 9 8 5 3
♣ Q J 8		♣ A 6 3
	♠ Q J 10 7 6	
	♥ K 10 6	
	♦ 7 6	
	♣ K 5 2	

S 2N; NS 2♠; N 1N; S 2♣; EW 1♥; S 1♦; N 1♣; Par +120: S 2N=

Board 13
 North Deals
 Both Vul

♠ A	♠ 9 6 4 2	♠ Q 8 5 3
♥ K Q 3	♥ 10 9 6 5	♥ A J 8 7 4
♦ A 8 7	♦ K 5 3	♦ Q J
♣ A Q 8 6 5 3	♣ K J	♣ 10 2

♠ K J 10 7	<div style="display: inline-block; background-color: #008000; color: white; padding: 5px; text-align: center;"> N W E S </div>	♠ Q 8 5 3
♥ 2		♥ A J 8 7 4
♦ 10 9 6 4 2		♦ Q J
♣ 9 7 4		♣ 10 2

EW 6♥; W 4N; E 3N; EW 5♣; EW 1♠; EW 1♦; Par -1430; EW 6♥=

Board 14
East Deals
None Vul

♠ K 10		♠ A Q 8 6
♥ Q J 6 4		♥ K 3 2
♦ K 6 5 4		♦ 7 3 2
♣ 8 4 3		♣ K 10 2
	♠ J 7	
	♥ A 8 7 5	
	♦ A Q 10 8	
	♣ A J 9	
	♠ 9 5 4 3 2	
	♥ 10 9	
	♦ J 9	
	♣ Q 7 6 5	


W 4♥; W 3N; E 3♥; W 4♦; E 2N; E 3♦; NS 1♠; EW 1♣;
Par -420: W 4♥=

Board 15
South Deals
N-S Vul

♠ J 9 8 3		♠ A 10 6
♥ Q 10 8		♥ K J 7 4 2
♦ Q 10 7 4		♦ J 6 3
♣ 8 7		♣ K 5
	♠ K Q 4	
	♥ A 3	
	♦ A K 9	
	♣ A Q 9 6 2	
	♠ 7 5 2	
	♥ 9 6 5	
	♦ 8 5 2	
	♣ J 10 4 3	

EW 5N; EW 5♠; EW 5♦; EW 3♥; W 4♣; E 3♣; Par -460; EW 3N+2

Board 16
West Deals
E-W Vul

♠ 9 5 2	♠ J 10 7 3	♠ K 4
♥ 10 8 5 3	♥ 9 6 2	♥ A K 7
♦ A K 4	♦ 9 8 7 6 5	♦ Q 3 2
♣ K 9 2	♣ J	♣ A Q 10 6 3
		
	♠ A Q 8 6	
	♥ Q J 4	
	♦ J 10	
	♣ 8 7 5 4	

E 5N; E 5♥; W 3N; E 5♣; W 3♥; W 4♣; EW 1♦; Par -660; E 3N+2

Board 17
North Deals
None Vul

♠ A Q J 6 5		♠ K 7
♥ Q 9		♥ 10 6 4
♦ A		♦ 10 9 5 3
♣ K Q J 6 2		♣ 9 8 7 3
	W N E	♠ 10 9 4 3 2
	S	♥ J 8 3
		♦ K Q 4
		♣ A 10
		♠ 8
		♥ A K 7 5 2
		♦ J 8 7 6 2
		♣ 5 4

EW 4N; EW 4♠; EW 4♣; EW 1♥; EW 1♦; Par -430; EW 3N+1

Board 18
East Deals
N-S Vul

♠ J 8 7 2		♠ A 10 9 5
♥ Q J 9 6		♥ K 8 4
♦ K 7 6 2		♦ 3
♣ 6		♣ A Q 5 4 3
	♠ 6	
	♥ 10 5 3	
	♦ Q 10 9 4	
	♣ K J 10 8 7	
	♠ K Q 4 3	
	♥ A 7 2	
	♦ A J 8 5	
	♣ 9 2	

NS 4♠; NS 3N; N 3♥; S 2♥; N 3♣; S 2♣; NS 1♦; Par +620: NS 4♠=

Board 19
South Deals
E-W Vul

	♠ 7 5	
	♥ Q 3	
	♦ J 10 7	
	♣ K Q J 9 5 3	
♠ K Q 9 8 4	W N E	♠ A J 10 6 3 2
♥ A K J 10 6 4		♥ 9 5
♦ K		♦ A 9 4
♣ 7		♣ 6 4
	♠ —	
	♥ 8 7 2	
	♦ Q 8 6 5 3 2	
	♣ A 10 8 2	

EW 6♠; E 5♥; W 4♥; NS 3♦; NS 3♣; EW 1N;
Par -800: NS 7♣×-4; NS 7♦×-4

Board 20
West Deals
Both Vul

♠ K 10 5		♠ A
♥ A 8 6		♥ K Q 3
♦ A Q J 8 5		♦ 9 7 6 4 3
♣ 7 4		♣ A K 9 2
	W N E	♠ 9 8 7 2
	S	♥ J 10 9 7 4
		♦ —
		♣ Q 8 6 5
		♠ Q J 6 4 3
		♥ 5 2
		♦ K 10 2
		♣ J 10 3

EW 2♥; NS 1N; NS 2♦; NS 1♣; Par -110; EW 2♥=

Board 21
North Deals
N-S Vul

♠ K 8 4		♠ A Q 6
♥ 8 6 4 3		♥ Q J
♦ 10		♦ J 4 2
♣ K Q J 6 3		♣ A 10 9 8 4
	♠ 9 2	
	♥ A K 7 5 2	
	♦ A Q 5 3	
	♣ 7 5	
	♠ J 10 7 5 3	
	♥ 10 9	
	♦ K 9 8 7 6	
	♣ 2	

NS 2♠; EW 2♥; NS 3♦; W 1N; EW 2♣; Par +100; EW 3♥×-1

Board 22
East Deals
E-W Vul

♠ Q J 7		♠ 9 5 3
♥ A 9 4		♥ K Q J 7 2
♦ A 10 8 3		♦ Q 7 4 2
♣ Q 7 5		♣ A
	♠ 8 4 2	
	♥ 10 8 5 3	
	♦ J	
	♣ 10 8 6 3 2	
	♠ A K 10 6	
	♥ 6	
	♦ K 9 6 5	
	♣ K J 9 4	

NS 3N; NS 3♥; NS 4♦; NS 2♠; NS 1♣; Par +400: NS 3N=

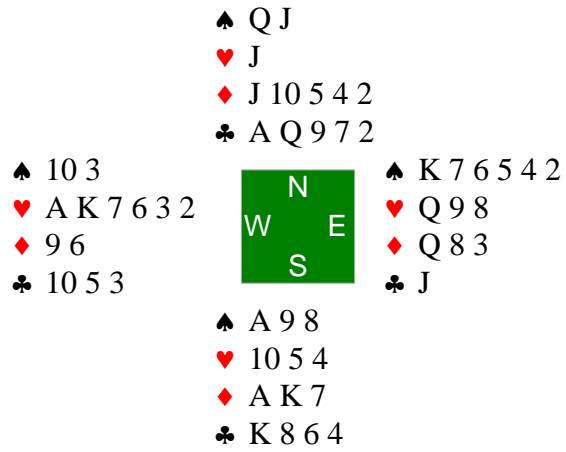
Board 23
South Deals
Both Vul

♠ K Q J 6	♠ 9 8	♠ 10 5 4
♥ 8	♥ A K Q J 6 3	♥ 7 2
♦ A K 9 3	♦ J 4	♦ 8 7 6 2
♣ Q 9 7 6	♣ A 10 2	♣ K J 8 3

♠ A 7 3 2
♥ 10 9 5 4
♦ Q 10 5
♣ 5 4

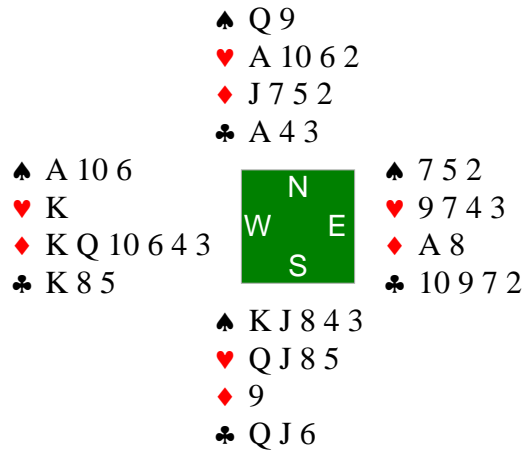
NS 3♥; NS 2N; EW 3♦; EW 2♣; EW 1♠; Par +140: NS 3♥=

Board 24
West Deals
None Vul



NS 6♦; NS 6♣; NS 1N; NS 1♠; EW 1♥; Par +920: NS 6♣=; NS 6♦=

Board 25
 North Deals
 E-W Vul



NS 3♠; NS 3♥; N 1N; EW 2♦; N 1♣; Par +140: NS 2♥+1; NS 2♠+1

Board 26
East Deals
Both Vul

♠ K Q 10 4	♠ J 9	♠ A 5
♥ K Q J 9	♥ 7 6 4	♥ A 8 5
♦ 10 9	♦ K 7 6 3 2	♦ Q J 8 4
♣ 10 9 5	♣ Q J 4	♣ A K 7 3
	♠ 8 7 6 3 2	
	♥ 10 3 2	
	♦ A 5	
	♣ 8 6 2	

EW 5N; EW 5♥; EW 4♠; EW 4♦; EW 4♣; Par -660; EW 3N+2

Board 27
South Deals
None Vul

♠ Q 8 6 2		♠ A K 5 4
♥ K Q 8		♥ 9 6 5 3
♦ 7 6		♦ A 9 8
♣ 8 6 3 2		♣ Q 5
	W N E	♠ 9 3
	S	♥ A 7
		♦ 10 5 4 2
		♣ K J 10 9 7
		♠ J 10 7
		♥ J 10 4 2
		♦ K Q J 3
		♣ A 4

NS 3♥; NS 2N; NS 2♠; N 3♦; S 2♦; EW 2♣; Par +140: NS 3♥=

Board 28
West Deals
N-S Vul

♠ 5 4 3	♠ J 7 6 2	♠ Q 9 8
♥ A K Q 2	♥ 9 7	♥ 10 6 5
♦ 5 3	♦ A K J 10	♦ Q 9 7 6 2
♣ A 9 5 2	♣ Q 10 3	♣ J 7

W N E
S

♠ A K 10
♥ J 8 4 3
♦ 8 4
♣ K 8 6 4

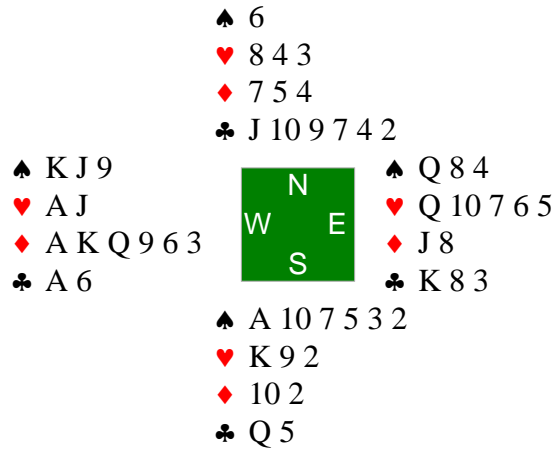
NS 3♠; NS 2N; NS 2♥; N 3♣; S 2♣; NS 1♦; Par +140; NS 1♠+2

Board 29
North Deals
Both Vul

♠ J 5 4 2	♠ A 9 8 6	♠ 3
♥ A 10 9 8	♥ 5	♥ K J 6 3 2
♦ Q 4	♦ J 10 2	♦ A 8 3
♣ Q J 4	♣ A 9 8 7 2	♣ 10 6 5 3
	♠ K Q 10 7	
	♥ Q 7 4	
	♦ K 9 7 6 5	
	♣ K	

NS 3♠; E 3♥; NS 4♦; W 2♥; E 1N; NS 1♣; Par +140: NS 3♠=

Board 30
East Deals
None Vul




EW 6N; EW 4♥; EW 5♦; EW 3♠; EW 1♣; Par -990; EW 6N=

Board 31
South Deals
N-S Vul

♠ 10 8 6 4		♠ K Q 5 2
♥ A 5		♥ K 8 3
♦ Q 8 5		♦ K 4 3
♣ J 6 4 2		♣ K 9 8
	♠ N	♠ 9 3
	W E	♥ Q 9 7 4
	S	♦ A 10 7 6
		♣ 7 5 3
		♠ A J 7
		♥ J 10 6 2
		♦ J 9 2
		♣ A Q 10

NS 3N; NS 3♠; NS 3♥; NS 3♣; NS 2♦; Par +600: NS 3N=

Board 32
West Deals
E-W Vul

♠ J 6 5 3	♠ K	♠ 10 9 8
♥ J 8	♥ Q 7 6 4	♥ K 3
♦ Q J 5 4	♦ K 8 3 2	♦ A 10 9 7 6
♣ Q 9 4	♣ A 10 6 5	♣ J 8 2
		
	♠ A Q 7 4 2	
	♥ A 10 9 5 2	
	♦ —	
	♣ K 7 3	

NS 6♥; NS 4♠; N 5♣; S 4♣; N 2N; S 1N; N 2♦; S 1♦;
Par +980: NS 6♥=


Board 33
North Deals
None Vul

♠ 9		♠ Q J 7 5
♥ A K		♥ Q 10 8 5 3
♦ 10 9 7 6 3		♦ A K 4
♣ A K Q 7 5		♣ 10
	♠ A K 10 8 4 3 2	
	♥ J 4	
	♦ J 8	
	♣ 3 2	
	♠ 6	
	♥ 9 7 6 2	
	♦ Q 5 2	
	♣ J 9 8 6 4	

EW 3♠; NS 2♥; EW 1N; EW 2♦; EW 2♣; Par -140: EW 3♠=


Board 34
East Deals
N-S Vul

	♠ 9 6 2		
	♥ A K 4 3		
	♦ J 5		
	♣ Q 10 8 7		
♠ A 4		♠ Q 8 7 5 3	
♥ Q J 10 9 8 5		♥ 6	
♦ A 10 3		♦ Q 9	
♣ J 5		♣ A K 9 6 2	
	♠ K J 10		
	♥ 7 2		
	♦ K 8 7 6 4 2		
	♣ 4 3		



EW 3♠; EW 3♥; EW 2N; EW 3♣; Par -140: EW 1♥+2; EW 1♠+2

Board 35
South Deals
E-W Vul

♠ 8 6 3 2		♠ —
♥ 9 3 2		♥ K Q 10 5 4
♦ Q 9 3		♦ J 10 6 5 4
♣ 8 6 2		♣ A K 10
		♠ Q 10 9 7 5 4
		♥ 6
		♦ A 8
		♣ Q 9 7 3
		♠ A K J
		♥ A J 8 7
		♦ K 7 2
		♣ J 5 4

NS 5N; NS 5♥; NS 5♦; NS 4♣; NS 2♠; Par +460: NS 3N+2

Board 36
West Deals
Both Vul

	♠ A Q 9 7	
	♥ A 7 5 3	
	♦ J 9	
	♣ 10 7 6	
♠ 8 5 2		♠ K J 10 6
♥ J 8		♥ K 10
♦ A Q 10 8 6		♦ 5 4 3
♣ K J 9		♣ Q 5 4 2
	♠ 4 3	
	♥ Q 9 6 4 2	
	♦ K 7 2	
	♣ A 8 3	

W 3♠; E 2♠; EW 3♦; EW 1N; EW 2♣; NS 1♥; Par -140: W 1♠+2