

Board 3
South Deals
E-W Vul

♠ J 10 9 4		♠ 8 5
♥ K J 10 5		♥ Q 6 4
♦ 9 5 4		♦ K 10 2
♣ Q 4		♣ A 9 8 6 2
	♠ A Q 7 6 3 2	
	♥ 8 7	
	♦ J 8	
	♣ K 10 5	
		♠ K
		♥ A 9 3 2
		♦ A Q 7 6 3
		♣ J 7 3

EW 3♠; NS 2♥; NS 3♦; NS 3♣; NS 1N; Par -100: NS 4♣×-1;
NS 4♦×-1

Board 4

West Deals

Both Vul

	♠ A K 2		
	♥ K 9 2		
	♦ K 10 7 3		
	♣ 8 4 2		
♠ Q 10 9 8		♠ J 7 3	
♥ 10 8 7 6 5 4		♥ A J	
♦ 6 5		♦ Q 4 2	
♣ 3		♣ K Q J 10 9	
	♠ 6 5 4		
	♥ Q 3		
	♦ A J 9 8		
	♣ A 7 6 5		

NS 4♦; NS 2N; NS 1♥; NS 1♣; Par +130

Board 5
North Deals
N-S Vul

	♠ 7		
	♥ K 10 8 3		
	♦ A K 9 5 2		
	♣ J 7 3		
♠ Q J 10 9 8 2			♠ K 4 3
♥ A Q 9			♥ J 5
♦ 10 8 6			♦ J 4
♣ 4			♣ K Q 10 9 6 5
	♠ A 6 5		
	♥ 7 6 4 2		
	♦ Q 7 3		
	♣ A 8 2		

NS 4♥; EW 2♠; NS 3♦; NS 1N; NS 1♣; Par +300; EW 4♠×-2

Board 7
South Deals
Both Vul

♠ A K Q 8	♠ 10 6 2	♠ J 9 7 4
♥ 9 6 3	♥ A K 2	♥ 7 4
♦ K 7	♦ J 9 6 5 4	♦ 10 8 3
♣ 10 9 8 4	♣ Q 7	♣ J 6 5 2
	♠ 5 3	
	♥ Q J 10 8 5	
	♦ A Q 2	
	♣ A K 3	

NS 4♥; NS 3N; NS 4♦; EW 1♠; Par +620

Board 8

West Deals

None Vul

		♠ 6 4 3		
		♥ J 9 6		
		♦ K 6 3		
		♣ 9 8 4 2		
♠ K			♠ A J 10 9 8 7 2	
♥ A K 10 8 7 4			♥ 3	
♦ J 9 7 4			♦ 2	
♣ A K			♣ J 7 5 3	
		♠ Q 5		
		♥ Q 5 2		
		♦ A Q 10 8 5		
		♣ Q 10 6		

EW 6♠; EW 2N; EW 2♥; EW 3♣; EW 1♦; Par -980

Board 9

North Deals

E-W Vul

♠ 10 8 5 3		♠ A 9
♥ 10 3		♥ K Q 9 6 4 2
♦ J 10 5		♦ A 8 6 3
♣ 8 7 4 2		♣ 5
	♠ N	♠ K J 7 6
	W E	♥ A 8
	S	♦ 9 7 4 2
		♣ A K 10
		♠ Q 4 2
		♥ J 7 5
		♦ K Q
		♣ Q J 9 6 3


N 5♥; N 4N; S 4♥; S 3N; N 3♦; NS 3♣; S 2♦; NS 1♠; Par +450

Board 11
South Deals
None Vul

	♠ 10 9 8 6 4	
	♥ 10 8 7	
	♦ A 9 8 6	
	♣ 7	
♠ J 3		♠ A K Q 2
♥ 9 3 2		♥ A 5 4
♦ K Q J 5 4 3	W N E	♦ —
♣ K 10	S	♣ A Q 9 8 4 3
	♠ 7 5	
	♥ K Q J 6	
	♦ 10 7 2	
	♣ J 6 5 2	

EW 7♣; EW 5N; EW 3♠; EW 3♥; EW 3♦; Par -1440

Board 13
North Deals
Both Vul

♠ 6 3		♠ 8 4
♥ Q J 8 2		♥ K 9 4
♦ 10 8 5		♦ A Q J 7 3 2
♣ Q J 10 7		♣ 8 5
		
		♠ K Q 10 9
		♥ 10 7 6
		♦ K 6 4
		♣ K 3 2
		♠ A J 7 5 2
		♥ A 5 3
		♦ 9
		♣ A 9 6 4

NS 3N; NS 3♠; NS 2♥; NS 3♦; NS 2♣; Par +600

Board 14
East Deals
None Vul

	♠ 7 5 3		
	♥ J 10 8		
	♦ 3		
	♣ A J 5 4 3 2		
♠ A K Q 10 9		♠ J 8 6	
♥ A K Q 2		♥ 9 7 3	
♦ 10 7		♦ A K J 8 6 4	
♣ K 6		♣ 9	
	♠ 4 2		
	♥ 6 5 4		
	♦ Q 9 5 2		
	♣ Q 10 8 7		

EW 6♠; EW 6♥; W 5N; EW 5♦; E 1N; NS 1♣; Par -980

Board 15
South Deals
N-S Vul

♠ 2		♠ A 10 9 6 4 3		
♥ J 10 7 6 2		♥ Q 5 3		
♦ 10 9 2		♦ Q 6 5		
♣ Q 9 6 2		♣ J		
	W	N	E	♠ J 7 5
		S		♥ 9 4
				♦ A K 4 3
				♣ K 10 7 4
				♠ K Q 8
				♥ A K 8
				♦ J 8 7
				♣ A 8 5 3

NS 5♠; NS 4N; NS 2♥; NS 2♦; Par +650

Board 16

West Deals

E-W Vul

♠ 10 6 5
♥ J 10 7
♦ J 6 5
♣ Q 9 8 6

♠ A J 9 7 4 2
♥ A 5 4
♦ 10 8 3
♣ K



♠ Q 8 3
♥ K Q 8 6 3 2
♦ K Q
♣ 7 5

♠ K
♥ 9
♦ A 9 7 4 2
♣ A J 10 4 3 2

NS 5♦; NS 3♠; NS 4♣; NS 1N; Par +400

Board 17
North Deals
None Vul

♠ K 10 9 7 5 2		♠ Q 8 4
♥ A J 7		♥ 6 5 2
♦ 10 7 6		♦ A J 9
♣ 8		♣ Q 10 9 4
	W	
	N	
	E	
	S	
		♠ J 3
		♥ 9 8 4 3
		♦ Q 8 4 2
		♣ 7 6 2
		♠ A 6
		♥ K Q 10
		♦ K 5 3
		♣ A K J 5 3

NS 5N; NS 5♣; NS 3♥; NS 2♠; NS 3♦; Par +460

Board 20
West Deals
Both Vul

♠ 8 4 2		♠ K Q 10 5
♥ A 7 4		♥ J 3
♦ K J 7 5 2		♦ 9 8
♣ J 10		♣ K Q 9 7 4
	♠ 9 6	
	♥ Q 10 5	
	♦ Q 10 3	
	♣ A 8 6 5 3	
	♠ A J 7 3	
	♥ K 9 8 6 2	
	♦ A 6 4	
	♣ 2	

NS 3♠; NS 2♥; NS 1N; NS 2♣; EW 1♦; Par +140

Board 21
North Deals
N-S Vul

♠ 10 8 6 2		♠ A Q 4
♥ Q J 8 7 5		♥ 6 2
♦ J 2		♦ K 9 6
♣ A 6		♣ K 10 9 5 3
	♠ J 9 5	
	♥ A 9	
	♦ 8 7 4	
	♣ Q J 8 4 2	
	♠ K 7 3	
	♥ K 10 4 3	
	♦ A Q 10 5 3	
	♣ 7	

NS 4N; NS 5♦; NS 2♥; NS 2♣; NS 1♠; Par +630

Board 22
East Deals
E-W Vul

♠ Q 10 9 7	♠ J 8	♠ K 5 4
♥ Q J 3	♥ 9 5 2	♥ 10 8
♦ 2	♦ A J 8 7	♦ K Q 9 6 5 3
♣ A 10 8 7 3	♣ 9 6 5 2	♣ K 4
	♠ A 6 3 2	
	♥ A K 7 6 4	
	♦ 10 4	
	♣ Q J	

EW 2♠; EW 1N; EW 2♣; NS 1♥; EW 1♦; Par -110

Board 23
South Deals
Both Vul

♠ 10 7 5 3		♠ K 9 8
♥ Q 7 4		♥ 9 3 2
♦ 7 5 4 3		♦ A K 6 2
♣ 10 2		♣ 6 5 3
	♠ A Q J 6 2	
	♥ A 8	
	♦ Q 9	
	♣ A 9 7 4	
		♠ 4
		♥ K J 10 6 5
		♦ J 10 8
		♣ K Q J 8

EW 3♠; NS 2♥; N 1N; N 2♣; NS 1♦; Par -140

Board 24
West Deals
None Vul

	♠ K Q 10 8 4	
	♥ A 9	
	♦ J 6 3	
	♣ 10 8 4	
♠ 7 2		♠ A J 9 5
♥ K 4 3		♥ 8 6 5
♦ 10 5		♦ A 8 2
♣ K Q J 6 5 2		♣ A 7 3
	♠ 6 3	
	♥ Q J 10 7 2	
	♦ K Q 9 7 4	
	♣ 9	

EW 2N; NS 2♥; NS 3♦; EW 3♣; Par +100: EW 3N×-1; EW 4♣×-1

Board 25
North Deals
E-W Vul

♠ K 10 7 2		♠ 6 5	
♥ K 6 5		♥ A Q 10 9	
♦ J 7		♦ Q 10 6 3	
♣ K 10 8 3		♣ 9 5 2	
	♠ N		♠ 9 4 3
	W E		♥ J 8 2
	S		♦ A 5 2
			♣ A J 7 6
		♠ A Q J 8	
		♥ 7 4 3	
		♦ K 9 8 4	
		♣ Q 4	


NS 2♦; EW 2♣; NS 1♥; Par +90

Board 27
South Deals
None Vul

♠ 6 4		♠ K J 9 5
♥ A 7 4		♥ 10 5
♦ A J 10 8 3		♦ K 6 5 4
♣ K 7 5		♣ 6 4 3
	♠ A Q 10 8 7	
	♥ J 8 6 2	
	♦ —	
	♣ Q J 9 2	
	♠ 3 2	
	♥ K Q 9 3	
	♦ Q 9 7 2	
	♣ A 10 8	

EW 3♠; EW 3♥; EW 2N; EW 3♣; E 2♦; W 1♦; Par -140

Board 28
West Deals
N-S Vul

♠ 9 7		♠ A K 4 2
♥ A 10 9 5		♥ K Q 8 2
♦ Q 10 7 4 3		♦ 6
♣ Q 4		♣ A J 8 5
		
		♠ Q J 10 8 5
		♥ 6
		♦ K 5 2
		♣ K 10 7 6
		♠ 6 3
		♥ J 7 4 3
		♦ A J 9 8
		♣ 9 3 2

NS 2♥; NS 1N; EW 2♦; NS 2♣; EW 1♠; Par +100; EW 2♠×-1;
EW 3♦×-1

Board 31
South Deals
N-S Vul

♠ Q 7 3		♠ K 10 4 2
♥ Q 10 9 4		♥ 3
♦ 10 8		♦ 7 3 2
♣ A Q J 3		♣ 10 9 6 5 2
	W N E	♠ A J 9 8 6
	S	♥ 6 2
		♦ A K Q 4
		♣ K 4
		♠ 5
		♥ A K J 8 7 5
		♦ J 9 6 5
		♣ 8 7


EW 5N; EW 5♠; E 3♥; EW 4♣; W 2♥; EW 3♦; Par -460

Board 32
West Deals
E-W Vul

♠ K 6 4	♠ Q J 3 2	♠ 8 5
♥ 10	♥ 9 3 2	♥ A K 8 7 6
♦ K 9 5 4 2	♦ 7 3	♦ A Q J 6
♣ 10 8 4 3	♣ K J 6 2	♣ Q 9
	♠ A 10 9 7	
	♥ Q J 5 4	
	♦ 10 8	
	♣ A 7 5	

EW 4♦; EW 2N; EW 2♥; NS 1♠; Par -130

Board 34
East Deals
N-S Vul

♠ K 10 8 2		♠ A 9 4
♥ A Q J 7		♥ K
♦ 5 4		♦ K 9 3 2
♣ 7 4 3		♣ A Q 9 6 2
		
		♠ J 6 5
		♥ 10 8 6 5 4
		♦ A Q 8
		♣ K 10
		♠ Q 7 3
		♥ 9 3 2
		♦ J 10 7 6
		♣ J 8 5

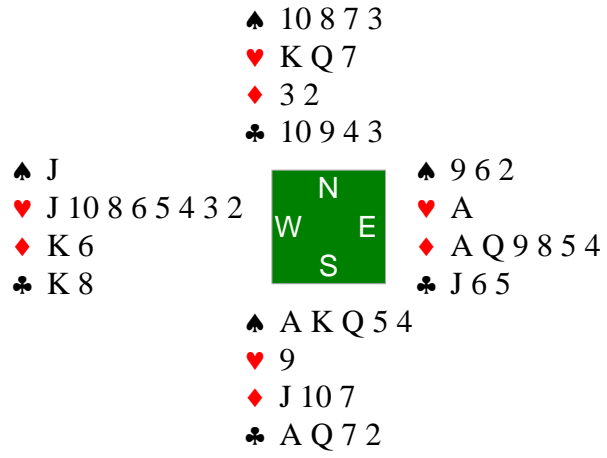
EW 4♥; EW 3♠; EW 2N; NS 1♦; Par -420

Board 35
South Deals
E-W Vul

♠ J 9 7		♠ K 8 2
♥ J 8 5		♥ Q 9
♦ K 7 6 5 4		♦ A Q 10 9 3
♣ 9 7		♣ A K 5
	♠ 10 6 5 3	
	♥ A K 10 7 3 2	
	♦ 8	
	♣ 10 2	
		♠ A Q 4
		♥ 6 4
		♦ J 2
		♣ Q J 8 6 4 3

NS 5♣; NS 2♠; NS 3♦; NS 1N; EW 1♥; Par +400

Board 36
West Deals
Both Vul



EW 3♥; NS 2♠; NS 3♣; EW 1N; EW 2♦; Par -140