

Board 1
North Deals
None Vul

	♠ 9 6 4	
	♥ 9 5	
	♦ 7 6 5	
	♣ K Q 10 7 5	
♠ K 7 2		♠ J 8 5
♥ K Q J 8 7 6	W N E	♥ 3
♦ 9 4	S	♦ A J 10 3 2
♣ 6 3		♣ A J 8 4
	♠ A Q 10 3	
	♥ A 10 4 2	
	♦ K Q 8	
	♣ 9 2	

E 1N; E 1♠; EW 1♥; EW 1♦; Par -90

Board 2
East Deals
N-S Vul

♠ J 10 9 3		♠ 6 5 2
♥ K 7		♥ Q 8 6 5 4 3
♦ A J 7 2		♦ 6
♣ Q 10 6		♣ J 9 4
	♠ Q	
	♥ J 9 2	
	♦ 9 8 5 4 3	
	♣ K 8 3 2	
	♠ A K 8 7 4	
	♥ A 10	
	♦ K Q 10	
	♣ A 7 5	

NS 3♥; S 2♠; NS 1N; EW 2♦; N 1♠; EW 1♣; Par +140

Board 3
South Deals
E-W Vul

♠ K J 10 9		♠ A Q 3
♥ A 9 4		♥ 10 8 3 2
♦ A		♦ 7 5 2
♣ K 9 8 6 3		♣ A 10 4
	♠ 8 4 2	
	♥ Q J 5	
	♦ Q 6 4	
	♣ Q J 5 2	
	♠ 7 6 5	
	♥ K 7 6	
	♦ K J 10 9 8 3	
	♣ 7	

EW 4♣; NS 2♦; EW 1♠; NS 1♥; Par -130

Board 4
West Deals
Both Vul

♠ 9 8	♠ 7 6 4	♠ A K J 5
♥ A J 10 9	♥ 8 7 3	♥ K Q 2
♦ A 9 8 7 5	♦ K 6 4 2	♦ Q 10
♣ 7 3	♣ J 6 4	♣ K Q 8 5
	♠ Q 10 3 2	
	♥ 6 5 4	
	♦ J 3	
	♣ A 10 9 2	

EW 5♥; E 4N; W 3N; EW 5♦; EW 3♠; EW 3♣; Par -650

Board 5
North Deals
N-S Vul

♠ J 10 4		♠ K 9 6 3 2
♥ Q 8 6 2		♥ J 7 4
♦ A 10 7 6		♦ J 9 8 3
♣ 9 3		♣ 4
	♠ A 5	
	♥ 9 5 3	
	♦ K Q 5 4 2	
	♣ A J 2	
	♠ Q 8 7	
	♥ A K 10	
	♦ —	
	♣ K Q 10 8 7 6 5	

NS 3♠; NS 3♣; EW 2♦; E 1♥; Par +140

Board 6

East Deals

E-W Vul

	♠ 4 3		
	♥ A K 10 8 7 5 4 2		
	♦ A 8 3		
	♣ —		
♠ 10 8 7 5 2		♠ A Q	
♥ Q		♥ J 9 6 3	
♦ K 5		♦ J 7 6 4	
♣ 8 7 5 3 2		♣ K J 10	
	♠ K J 9 6		
	♥ —		
	♦ Q 10 9 2		
	♣ A Q 9 6 4		

NS 4♥; NS 3N; NS 2♠; NS 3♦; NS 2♣; Par +420

Board 7
South Deals
Both Vul

♠ K 7 2		♠ 6
♥ —		♥ J 10 4
♦ A K Q 9 5 4		♦ 10 8 6 3
♣ K 9 7 3		♣ A J 10 6 2
	W	
	N	
	E	
	S	
		♠ Q 10 9 8 5 3
		♥ Q 8 7 5 3
		♦ —
		♣ Q 5
		♠ A J 4
		♥ A K 9 6 2
		♦ J 7 2
		♣ 8 4

EW 4♠; NS 2♥; NS 1N; W 2♦; E 1♦; S 1♣; Par -620

Board 8
 West Deals
 None Vul

	♠ A J 10 6 5		
	♥ 8 3		
	♦ K J 8 4		
	♣ 6 3		
♠ 7		♠ 9 4 3 2	
♥ A 9 7 6 4 2		♥ J 5	
♦ 10		♦ A 3 2	
♣ 10 7 5 4 2		♣ K Q J 9	
	♠ K Q 8		
	♥ K Q 10		
	♦ Q 9 7 6 5		
	♣ A 8		

NS 4♠; EW 3♥; NS 4♦; EW 4♣; NS 1N; Par +100; EW 5♣×-1

Board 9
North Deals
E-W Vul

♠ Q 10 7 5 2		♠ J 8 6	
♥ J 10 8 6		♥ 7	
♦ A 5 2		♦ K J 10 9 8 4	
♣ 4		♣ K J 7	
	W		E
		N	
		S	
		♠ K 9	
		♥ A 9 5	
		♦ 7 6 3	
		♣ A Q 6 3 2	
		♠ A 4 3	
		♥ K Q 4 3 2	
		♦ Q	
		♣ 10 9 8 5	

E 3♠; W 2♠; EW 2♥; E 1♣; Par -140

Board 10
East Deals
Both Vul

♠ 9 8 5 3		♠ A K 4
♥ A 7 4		♥ J 10 8 5 2
♦ 10 4 3 2		♦ K Q 5
♣ A 6		♣ Q 5
	♠ Q 10 6 2	
	♥ Q 3	
	♦ A J 9	
	♣ 9 8 4 2	
		♠ J 7
		♥ K 9 6
		♦ 8 7 6
		♣ K J 10 7 3


NS 3♥; NS 2N; EW 2♠; NS 2♣; NS 1♦; Par +140

Board 11
 South Deals
 None Vul

	♠ Q 9 7 4	
	♥ A Q 5 4 2	
	♦ Q	
	♣ K 10 9	
♠ A 5 3		♠ 8 6 2
♥ 6 3		♥ 10 8
♦ A 10 4	W	♦ K 9 8 7 6 3
♣ Q 6 4 3 2	N S	♣ A 5
	♠ K J 10	
	♥ K J 9 7	
	♦ J 5 2	
	♣ J 8 7	

NS 4♥; NS 3♠; EW 2♦; EW 1♣; Par +420

Board 12
 West Deals
 N-S Vul

♠ A J 10 9		♠ 8 6
♥ A J 9 7		♥ K Q 8 4
♦ A K 8		♦ Q 5 3
♣ 7 4		♣ K J 9 5
		♠ Q 7 4 3
		♥ 5 3 2
		♦ 10 6 4
		♣ A 8 2
		♠ K 5 2
		♥ 10 6
		♦ J 9 7 2
		♣ Q 10 6 3

EW 3♠; EW 2N; EW 2♥; EW 1♦; NS 1♣; Par -140

Board 13
North Deals
Both Vul

♠ A 10 3		♠ 5 4 2
♥ K J 10 9 8 7 6 2		♥ 5 3
♦ 8 6		♦ A 3
♣ —		♣ K J 10 8 7 4
	W	♠ K Q J 9 7 6
	N	♥ —
	E	♦ J 7 5 2
	S	♣ 9 6 5
		♠ 8
		♥ A Q 4
		♦ K Q 10 9 4
		♣ A Q 3 2

N 5♣; S 4♣; EW 2♠; EW 2♥; NS 1N; NS 2♦; Par +600

Board 14
East Deals
None Vul

♠ Q 9 6	♠ 8 7		
♥ Q 9 7 6	♥ K J 10 3		
♦ A Q 4	♦ 9 6 3		
♣ 10 9 5	♣ A Q 8 2		
		♠ A 10 5 4 3 2	
		♥ 8 2	
		♦ K J	
		♣ J 4 3	
		♠ K J	
		♥ A 5 4	
		♦ 10 8 7 5 2	
		♣ K 7 6	

NS 3N; NS 3♥; NS 3♦; NS 3♣; EW 1♠; Par +400

Board 15
South Deals
N-S Vul

♠ A K Q 8 7 6		♠ 5 4
♥ 9		♥ J 8 5 4 2
♦ K J 2		♦ Q 10 7
♣ Q 6 4		♣ A K 2
	W N E	♠ J 10 9 2
	S	♥ A K Q 7
		♦ 6 3
		♣ J 10 5
		♠ 3
		♥ 10 6 3
		♦ A 9 8 5 4
		♣ 9 8 7 3

EW 4N; EW 4♠; EW 2♥; NS 1♦; EW 1♣; Par -430

Board 16
West Deals
E-W Vul

♠ K 8 5		♠ A 9 7
♥ A J		♥ 6
♦ Q J 7 6 5 2		♦ 10 9 4
♣ 8 6		♣ A Q J 5 4 2
	W	N
		E
	S	
		♠ Q J 6 4 3 2
		♥ 10 8 7 4 3
		♦ 3
		♣ 9
		♠ 10
		♥ K Q 9 5 2
		♦ A K 8
		♣ K 10 7 3

NS 6♣; NS 4N; EW 1♠; NS 1♥; NS 1♦; Par +920

Board 17
North Deals
None Vul

	♠ 9 7	
	♥ J 10 9 7 6	
	♦ A K 9 4 2	
	♣ 7	
♠ A 6		♠ Q 10 8 5 2
♥ A K		♥ Q 8 3 2
♦ 6 5 3		♦ 8
♣ A 9 8 4 3 2		♣ Q J 5
	♠ K J 4 3	
	♥ 5 4	
	♦ Q J 10 7	
	♣ K 10 6	

EW 4♣; EW 2♠; NS 3♦; EW 1N; NS 1♥; Par -100; NS 4♦×-1

Board 18
East Deals
N-S Vul

♠ 10 9 3		♠ Q 5 2
♥ 10 9 6 4 3		♥ A K 7
♦ A Q J 6 5		♦ 10 9 8 4
♣ —		♣ 5 3 2
	♠ A K 8 7 4	
	♥ 2	
	♦ K 2	
	♣ K J 9 8 4	
	♠ J 6	
	♥ Q J 8 5	
	♦ 7 3	
	♣ A Q 10 7 6	

EW 5♠; EW 3♦; EW 1♥; NS 1♣; Par -450

Board 19
South Deals
E-W Vul

♠ 8 5		♠ 10 2
♥ 9 6 5 3		♥ A J 10 8 7
♦ Q 4		♦ A 7 2
♣ A K J 10 4		♣ Q 8 5
	♠ K J 7 4	
	♥ K Q 4 2	
	♦ J 6 5	
	♣ 3 2	
	♠ A Q 9 6 3	
	♥ —	
	♦ K 10 9 8 3	
	♣ 9 7 6	

NS 3♠; NS 2N; NS 3♦; NS 1♥; Par +140

Board 21
North Deals
N-S Vul

♠ Q 10 7 5 3		♠ A 8 6 4
♥ 9 5		♥ A 4 2
♦ A Q 7		♦ 10
♣ J 8 6		♣ 10 9 5 4 3
	W N E	♠ K
	S	♥ K Q J 6 3
		♦ 8 5 4 3 2
		♣ A Q
		♠ J 9 2
		♥ 10 8 7
		♦ K J 9 6
		♣ K 7 2

EW 3♥; E 2N; E 3♦; W 1N; W 2♦; EW 1♠; Par -140

Board 22
East Deals
E-W Vul

♠ A J 9 4 3		♠ Q
♥ A J 3		♥ Q 9 8 6 4 2
♦ 9 5 4		♦ A K 6
♣ Q 3		♣ A K 10
	♠ K 10 2	
	♥ K 7 5	
	♦ Q J 7 3	
	♣ 8 7 4	
	♠ 8 7 6 5	
	♥ 10	
	♦ 10 8 2	
	♣ J 9 6 5 2	

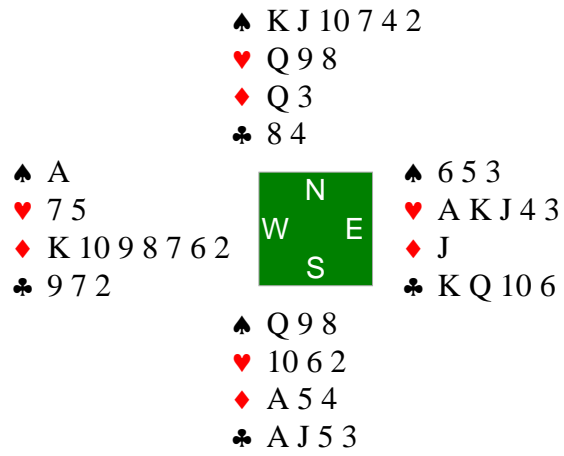
EW 3♠; NS 2♥; NS 3♣; Par -100; NS 4♣×-1

Board 24
West Deals
None Vul

♠ 9 8 2		♠ A Q J 6 5 4
♥ K Q 7		♥ 3 2
♦ A 7 5 4 3		♦ K 10 6
♣ K 5		♣ A 3
	♠ 10 7 3	
	♥ J 10 6 5 4	
	♦ 9 2	
	♣ Q J 9	
	♠ K	
	♥ A 9 8	
	♦ Q J 8	
	♣ 10 8 7 6 4 2	

NS 4♠; NS 3N; NS 4♣; NS 2♦; EW 1♥; Par +420

Board 25
North Deals
E-W Vul



EW 3♥; EW 4♦; EW 3♣; NS 1♠; Par -140

Board 26
East Deals
Both Vul

♠ K Q 6 5		♠ 10 8 2
♥ K 7 6 3 2		♥ A 10 9
♦ K 8		♦ Q 4 2
♣ 7 6		♣ Q J 9 3
	♠ J 3	
	♥ Q J 5 4	
	♦ A J 10 9 6	
	♣ 10 4	
	♠ A 9 7 4	
	♥ 8	
	♦ 7 5 3	
	♣ A K 8 5 2	

EW 3♥; NS 1N; NS 2♣; EW 1♦; Par -140

Board 27
South Deals
None Vul

♠ 4		♠ A K 6 2
♥ 4 2		♥ K 10
♦ K Q 6 4 3		♦ A 7
♣ 9 6 5 3 2		♣ Q J 10 8 7
	♠ N	♠ Q 10 8 5
	W E	♥ 8 7 5
	S	♦ J 10 9 8
		♣ A K
		♠ J 9 7 3
		♥ A Q J 9 6 3
		♦ 5 2
		♣ 4

NS 5♠; NS 5♥; NS 3N; EW 1♦; NS 1♣; Par +450

Board 28
West Deals
N-S Vul

♠ 10 7 6 3		♠ Q 2
♥ K 3		♥ J 9 4
♦ A 8 7 2		♦ K 6 5
♣ K 9 7		♣ Q 8 5 4 2
	♠ N	♠ K 9 5 4
	W E	♥ 10 8 7 5
	S	♦ Q 10 3
		♣ 10 3
		♠ A J 8
		♥ A Q 6 2
		♦ J 9 4
		♣ A J 6

NS 2N; NS 2♥; NS 3♣; EW 1♠; NS 1♦; Par +120

Board 29
North Deals
Both Vul

♠ J 10 6 5		♠ 9 8 3
♥ 9 8		♥ Q 6 2
♦ K 7 6 3		♦ 9 5
♣ 9 6 4		♣ A J 8 7 2
	♠ N	♠ K Q 2
	W E	♥ K 10 4
	S	♦ J 8 4 2
		♣ K Q 3
		♠ A 7 4
		♥ A J 7 5 3
		♦ A Q 10
		♣ 10 5

NS 2♥; NS 1N; NS 2♣; E 1♠; EW 1♦; Par +110

Board 30
East Deals
None Vul

	♠ K 6	
	♥ K J 10 8 7 3	
	♦ 7 4	
	♣ 9 6 2	
♠ A J 2		♠ Q 10 7 3
♥ A 5		♥ 6 4 2
♦ K Q 6 3		♦ 10
♣ K 10 8 4		♣ A Q J 7 5
	♠ 9 8 5 4	
	♥ Q 9	
	♦ A J 9 8 5 2	
	♣ 3	


EW 3♠; EW 4♣; EW 2N; NS 1♥; Par -140

Board 31
South Deals
N-S Vul

	♠ 7 6 4	
	♥ Q J 8 6 4	
	♦ A 8	
	♣ Q 7 4	
♠ J 3		♠ A 10 9 8 5 2
♥ A 10 9		♥ 5 3
♦ 10 4		♦ 9 7
♣ A K 9 8 5 2		♣ J 10 3
	♠ K Q	
	♥ K 7 2	
	♦ K Q J 6 5 3 2	
	♣ 6	

NS 3♥; NS 4♦; NS 2N; EW 2♠; EW 2♣; Par +130

Board 32
West Deals
E-W Vul

♠ 8 4		♠ A 9 7 5 3 2	
♥ Q 8 5 3 2		♥ 10 9 7	
♦ 3		♦ 8	
♣ J 10 9 8 4		♣ Q 6 2	
			
		♠ 10	
		♥ A K J	
		♦ Q J 9 6 4 2	
		♣ K 7 5	
		♠ K Q J 6	
		♥ 6 4	
		♦ A K 10 7 5	
		♣ A 3	


NS 4♠; E 3♥; NS 2N; W 2♥; EW 2♣; NS 1♦; Par +420

Board 33
North Deals
None Vul

♠ A 8 3		♠ Q 4
♥ 7 4 3		♥ A K Q J 6
♦ 8 7 4 3 2		♦ J 10
♣ 6 5		♣ K Q J 2
	♠ 10 9 7 6	
	♥ 5 2	
	♦ A K 9 5	
	♣ 10 9 8	
	♠ K J 5 2	
	♥ 10 9 8	
	♦ Q 6	
	♣ A 7 4 3	

NS 4♥; NS 4♣; NS 2♠; NS 1N; EW 1♦; Par +420

Board 34
East Deals
N-S Vul

♠ 2		♠ A J 9 6 5 4	
♥ A K Q 7 4		♥ 6 5	
♦ Q 10 7 5		♦ K J	
♣ 8 5 2		♣ Q 10 4	
			
		♠ 8 7 3	
		♥ J 10 2	
		♦ 6 4 2	
		♣ K J 6 3	
		♠ K Q 10	
		♥ 9 8 3	
		♦ A 9 8 3	
		♣ A 9 7	

NS 4♠; NS 2N; NS 2♦; EW 1♥; NS 1♣; Par +620